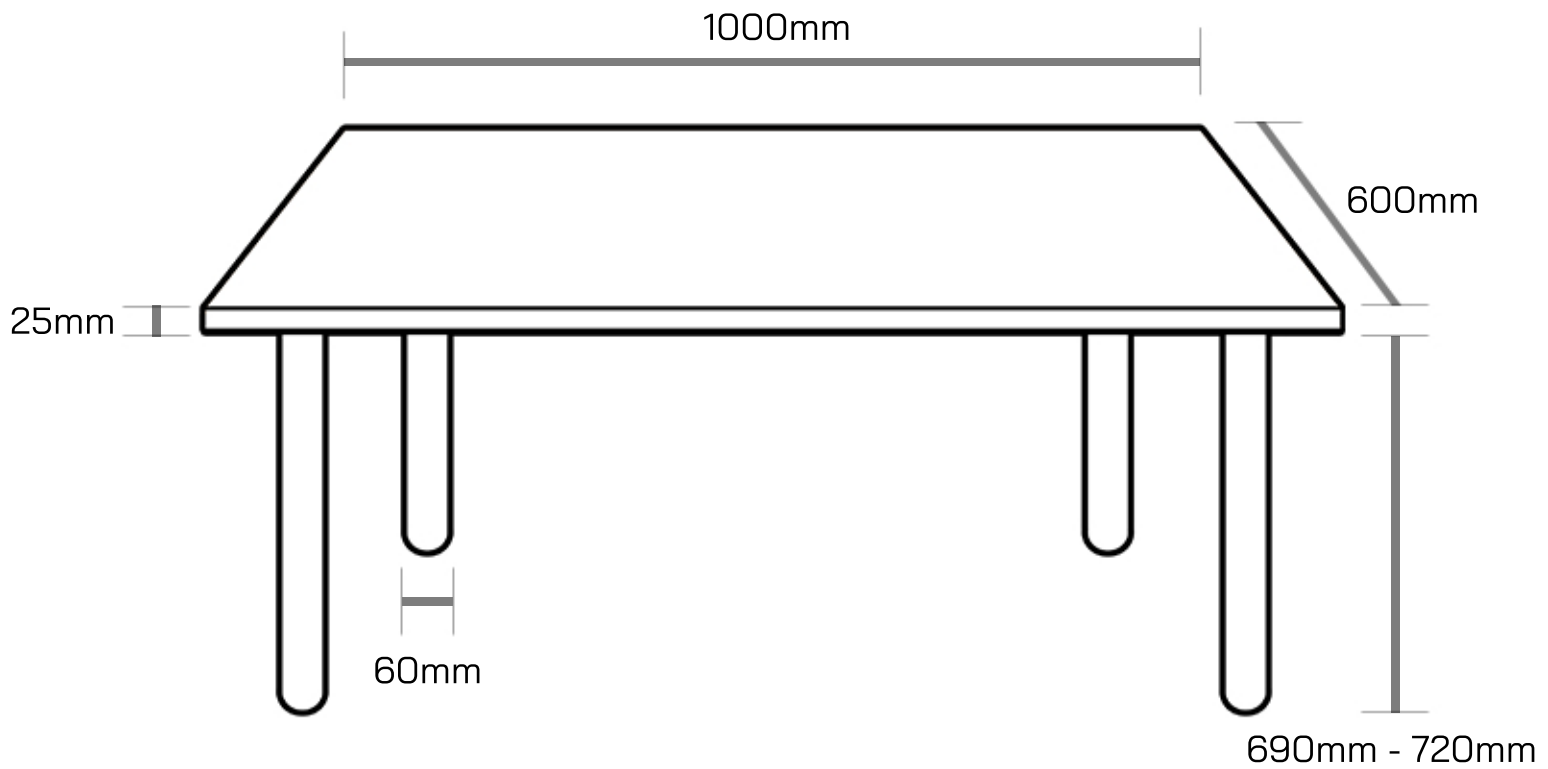
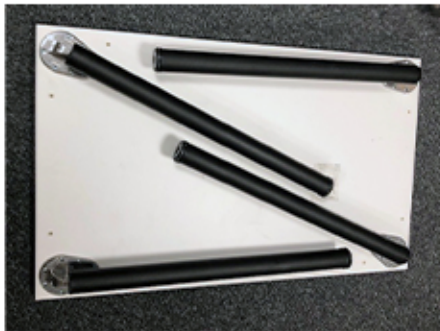


Folding Homeworker Desk

1000mm x 600mm



Assembly Instructions



Step 1

Place the desktop upside down on a flat surface, with the pre-fitted legs and fixings facing upwards.

Step 2

Pull all 4 legs upwards and outwards until they are fully extended. You will hear a click when the legs are fully extended.

Step 3

Turn the pre-fitted leg extenders anti-clockwise to gain up to 30mm of additional desk height. These can also be used to level the desk if your floor is uneven.

Step 4

Your desk assembly is now complete. To return the legs to the folded position, press the button (highlighted blue above) on each leg and fold back down.

