

YOUR HEALTH OUR PRIORITY



Tallo™ & Tallo Modular™ Monitor Arms

Work Better. Feel Better.™

Fellowes

WE ARE FELLOWES

For more than 100 years, Fellowes® has been helping people be the best they can be while at work. **More productive. More efficient. Happier. Healthier.**

What we stand for.

We are the Fellowes family. We believe the workspace should be an optimal environment for a personal pursuit of meaningful work. We are bonded by a century long commitment to creating workspace solutions that communicate care and respect, and we believe that with the right tools, everyone has the ability to fully harness their potential.

Everything that carries the Fellowes name is a promise of quality, performance, innovation and outstanding customer service.

Discover a healthier workspace.

Only Fellowes offers comprehensive solutions to support holistic wellbeing with innovative designs that blend function, efficiency and aesthetics for effortless integration into the working day.

Helping people achieve their best.

At Fellowes, we are committed to providing workspace solutions that are intuitive, high quality, ergonomic, and dynamic, enabling you to be the best that you can be. Work better. Feel better.

More productive.

Fellowes is committed to making your workstation more dynamic, comfortable and effortlessly productive.

More efficient.

Our products encourage efficiency and seamlessly integrate into your workspace.

Happier.

Be the best you can be. Our products enable you to go beyond just working better.

Healthier.

We believe that office equipment should do more than improve your performance; it should improve your health.



INTRODUCING TALLO™ & TALLO MODULAR™

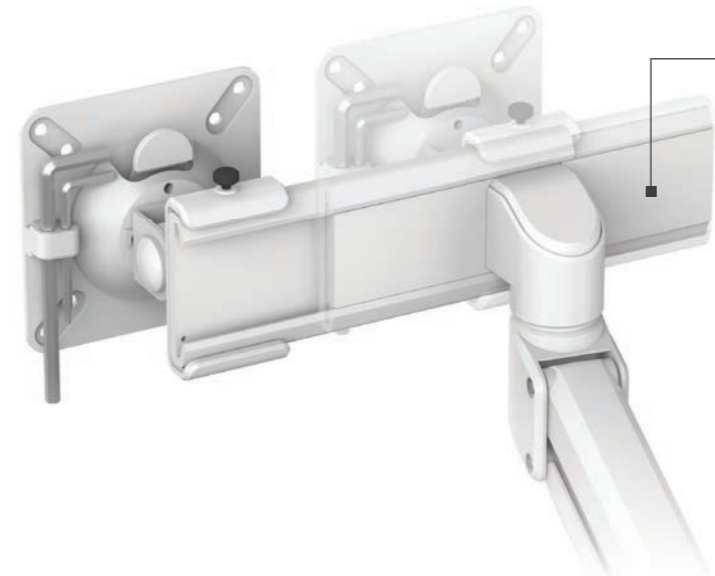
Our most sophisticated range of monitor arms, expertly crafted to perform effortlessly. Combines a distinctive design, intuitive movement and ergonomic excellence to deliver a superior experience to those who care about health and wellbeing in the workplace.

Find the ultimate solution for your workspace from a comprehensive range of fixed or dynamic configurations and colours.

TALLO™ & TALLO MODULAR™ DESIGN STORY

Dynamic Elegance – Designed

To the untrained eye, monitor arms tend to look the same. Moreover, they aren't always designed with the end user's needs in mind. The Tallo™ & Tallo Modular™ arms by Fellowes, were created to bring distinct style, sophistication and ergonomic excellence to the workspace. Based on the concept of 'dynamic elegance,' these products were crafted to express movement while the arm's signature 'splice' design disguises the bulk of the structure, providing visual interest from head to toe. At the core, these arms are built to seamlessly integrate with the world's quickly evolving working environment.



Precise Positioning: The Tallo™ Slider

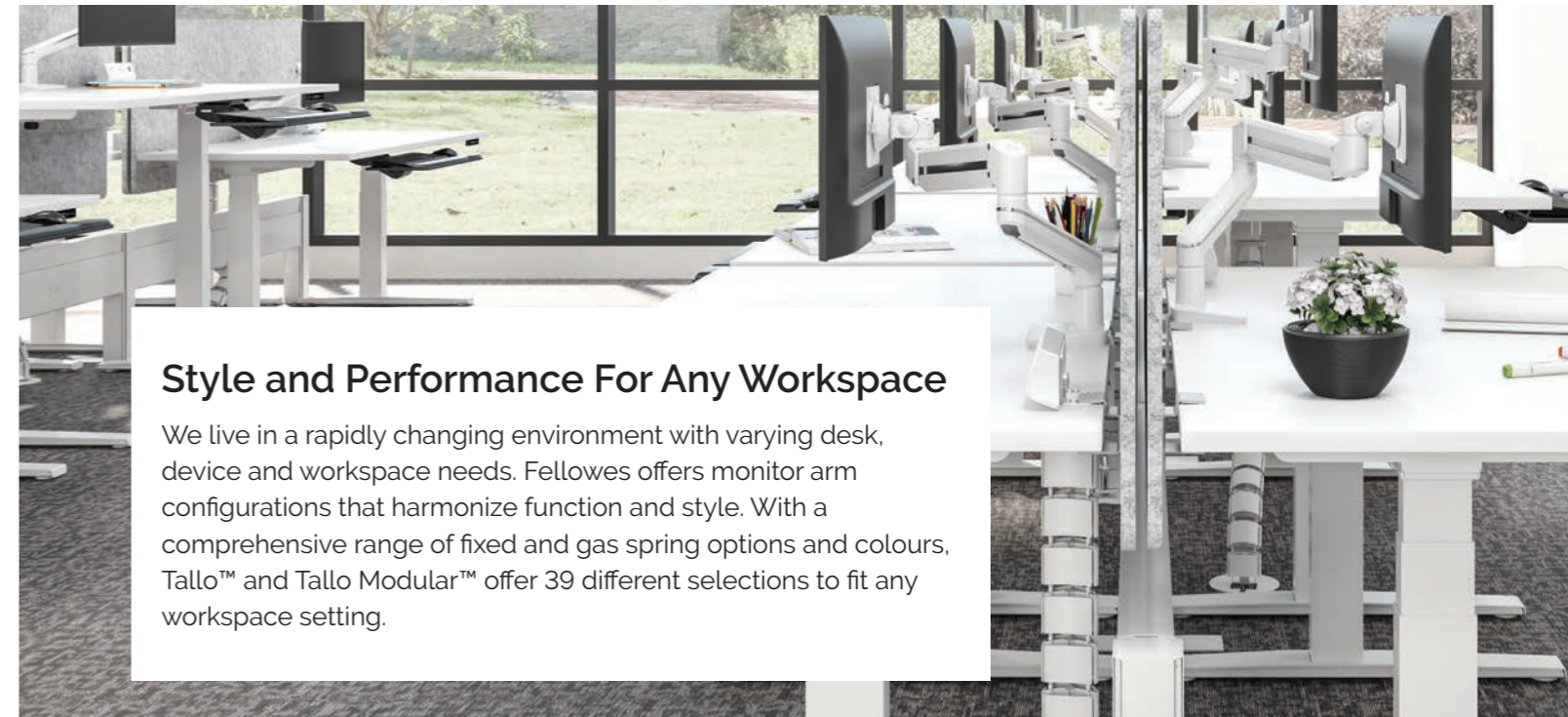
When using more than one, screens should be positioned side by side, level, without a gap and at arm's length to ensure precise ergonomic positioning.

The Tallo™ slider is uniquely designed to enable effortless horizontal monitor alignment. It overcomes the issue of taking up too much space on the user's desk, while aligning the screen at the perfect reach position.



Bringing ergonomic excellence to your workspace.

Tallo™ & Tallo Modular™ monitor arms enable you to work in comfort with your screens at the correct height and distance to ensure correct ergonomic positioning.



Style and Performance For Any Workspace

We live in a rapidly changing environment with varying desk, device and workspace needs. Fellowes offers monitor arm configurations that harmonize function and style. With a comprehensive range of fixed and gas spring options and colours, Tallo™ and Tallo Modular™ offer 39 different selections to fit any workspace setting.

Stay connected

With the ever increasing number of devices we now use, finding access to power to stay charged can sometimes be a challenge. As a result our team designed the Tallo™ Flexcharge Hub. The wireless charging and USB station seamlessly integrates with your Tallo™ monitor arm making staying connected effortless.



Our most sophisticated range of monitor arms expertly crafted to perform effortlessly.



THE TALLO™ RANGE

Ultimate flexibility for single and dual screen set ups. The Tallo™ monitor arms gas spring technology provides effortless height and depth adjustability and enhances collaborative working.



Tallo™ Single

- White: 8614601
- Silver: 8613001
- Black: 8614301



Tallo™ Dual

- White: 8614701
- Silver: 8613101
- Black: 8614401



Tallo™ Dual Compact

- White: 8614801
- Silver: 8613201
- Black: 8614501

TALLO MODULAR™ HOW IT WORKS

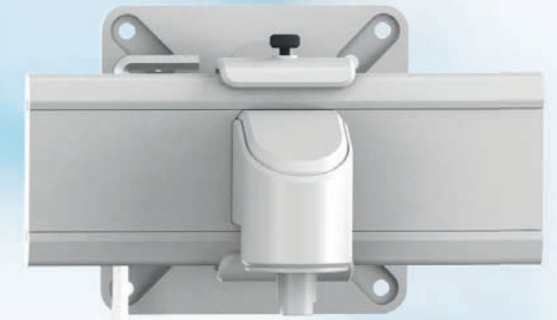
Choose a configuration to suit your needs from a mixture of fixed and gas spring arm options.

Fixed arms provide additional reach and movement as well as being a cost effective solution, where regular height adjustment is not required. Motion arms deliver effortless gas spring height adjustment, great for hot desking and collaborative working.

Sliders allow you to increase the size of screens an arm can hold whilst enabling you to place screens seamlessly side by side. This helps to save valuable desk space and maintain an ergonomic working position.

S = Slider

Provides seamless monitor alignment and increases the maximum screen size the arm can hold



M - Motion Arm (gas spring)

Provides dynamic effortless height adjustability

F = Fixed Arm

Increases reach, height and movement range



THE TALLO MODULAR™ RANGE

A stylish, elegant and versatile design that blends in with any environment. Find the most suitable configuration for multi-display users with options for fixed or motion (gas spring arms) depending on your requirements for height and depth adjustment.



Single



Tallo Modular™ 1F

- White: 8615901
- Silver: 8613301
- Black: 8614901



Tallo Modular™ 1FF

- White: 8616001
- Silver: 8613401
- Black: 8615001



Tallo Modular™ 1M

- White: 8616201
- Silver: 8613601
- Black: 8615201



Tallo Modular™ 1FM

- White: 8616101
- Silver: 8613501
- Black: 8615101

Dual



Tallo Modular™ 2FS

- White: 8616301
- Silver: 8613701
- Black: 8615301



Tallo Modular™ 2FFS

- White: 8616401
- Silver: 8613801
- Black: 8615401



Tallo Modular™ 2MS

- White: 8616601
- Silver: 8614001
- Black: 8615601



Tallo Modular™ 2FMS

- White: 8616501
- Silver: 8613901
- Black: 8615501

Triple



Tallo Modular™ 3FFS

- White: 8616701
- Silver: 8614101
- Black: 8615701

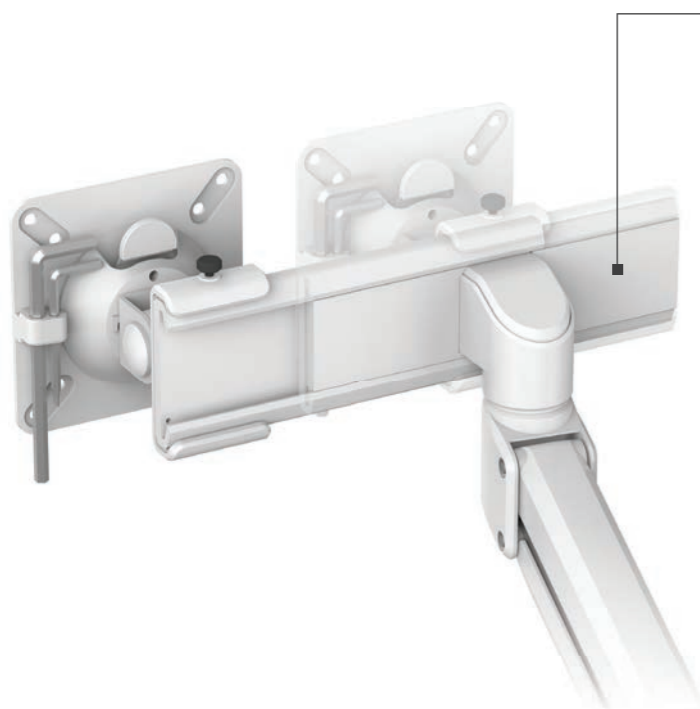


Tallo Modular™ 3FMS

- White: 8616801
- Silver: 8614201
- Black: 8615801

TALLO™ & TALLO MODULAR™ FEATURES

Thoughtfully designed to deliver a superior user experience, the built in features of the Tallo™ range of monitor arms provide our most intuitive range to date.



Slider
Uniquely designed to provide seamless monitor alignment without taking up valuable desk space



Without Slider



With Slider

Cable Management
Cleverly designed cable management to conceal unsightly cables and keep your workspace tangle free



Ideal for screen sharing
360° arm swivel with 180° lock out feature

Quick Release VESA Plate
Enables fast and easy set-up



Easy attachment
Simple to install grommet or clamp mount options included



Clamp



Grommet



15 year Warranty



TALLO™ FLEXCHARGE HUB

Stay powered and productive with the easily accessible charging hub designed to seamlessly integrate with all Tallo™ and Tallo Modular™ monitor arms. Features Qi wireless charging pad and easy access fast charging USB ports.



Tallo™ Flexcharge Hub

- White: 7502501 (UK) / 7502601 (EU)
- Silver: 7503301 (UK) / 7503401 (EU)
- Black: 7502901 (UK) / 7503001 (EU)

WE ARE GLOBAL

Inspiring workspaces since 1917.

fellowes.com/locations | 0080018101810



Fellowes
Brands. | FAMILY BUSINESS
SINCE 1917