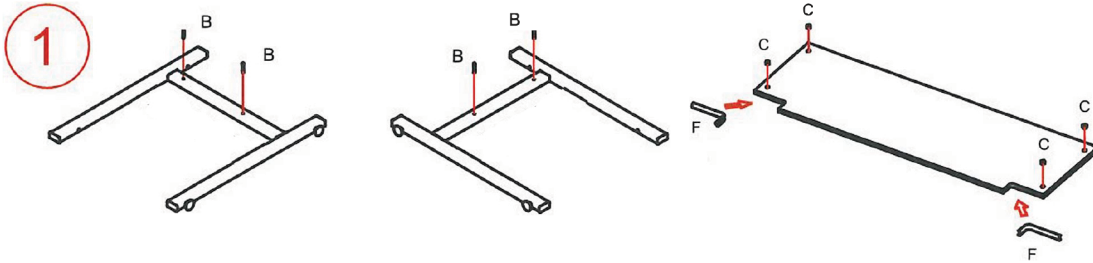


ASSEMBLY INSTRUCTIONS

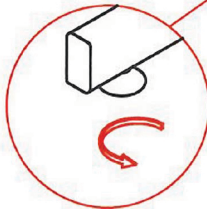
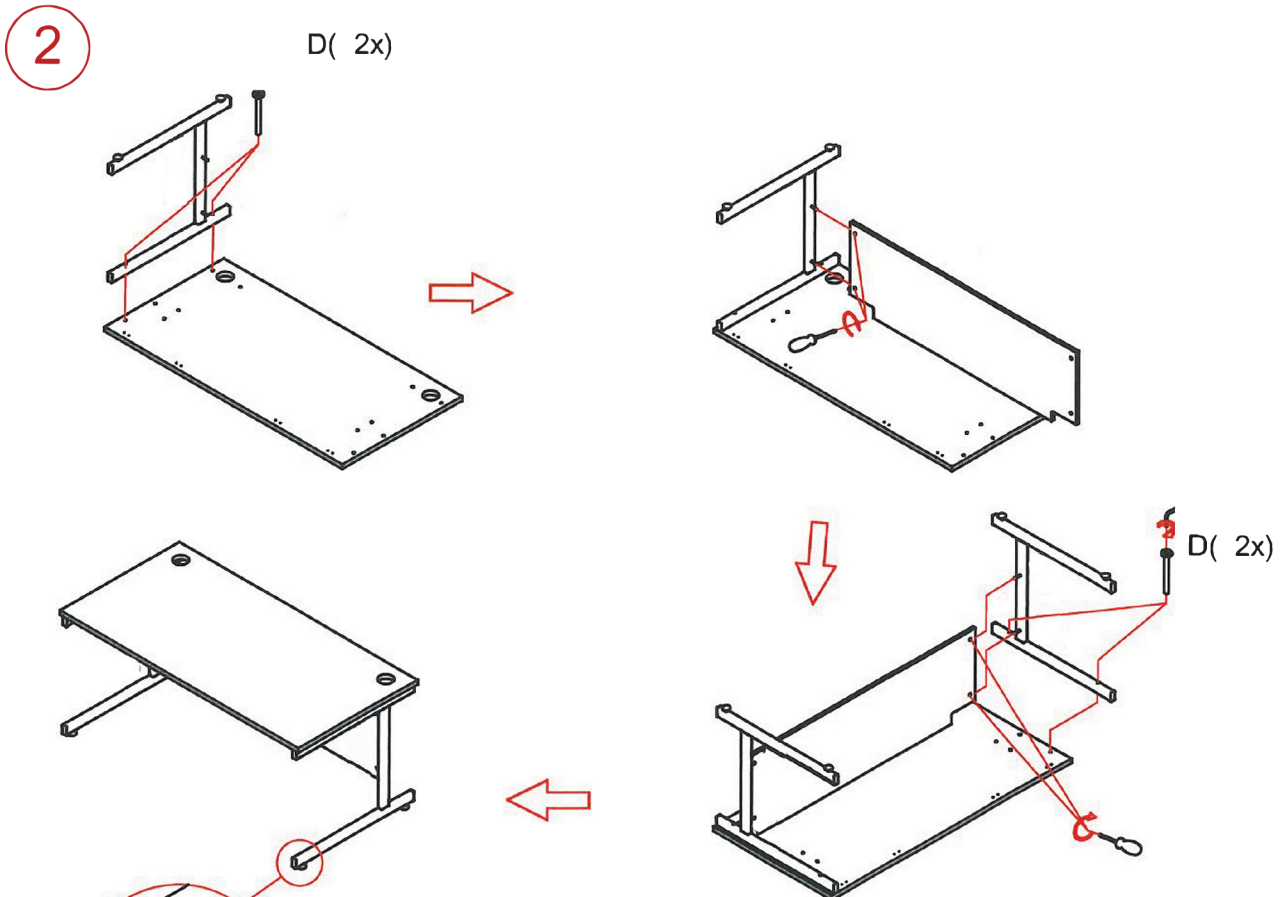


PLEASE NOTE



MAKE SURE THAT THE ARROW ON THE MINIFIX HOUSING IS POINTING TOWARDS THE EDGE OF THE PANEL

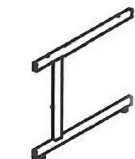
LEG AND MODESTY PANEL PREPARATION



FOR LEVELING
ROTATE CLOCKWISE
FOR UP, ANTICLOCKWISE
FOR DOWN

TOOLS YOU WILL NEED	
	4mm ACROSS THE FLATS ALLEN KEY
	POZI DRIVE SCREW DRIVER

B	C	D	F
8 OFF	8 OFF	4 OFF	4 OFF
MINIFIX CONNECTOR	MINIFIX HOUSING 18mm	M6 x 65 SOC FLANGE HEAD BOLT	MODESTY PANEL RM



FOR DESIGN 2000, A1000 & EX10 DESK/IT DESKS ONLY

ASSEMBLY FOR THE ABOVE TOP SH.

PLEASE NOTE: DISPOSE OF ANY EXCESS FIXINGS