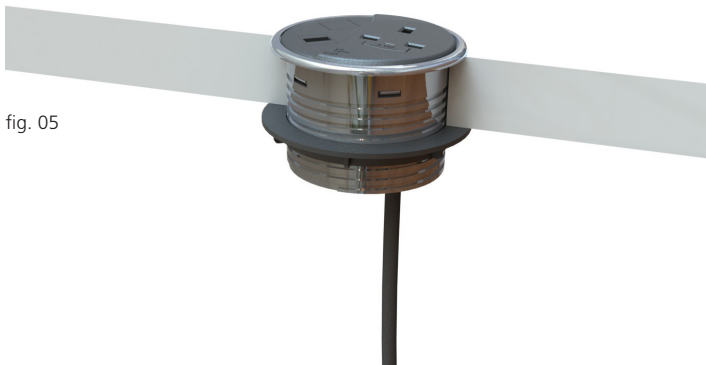
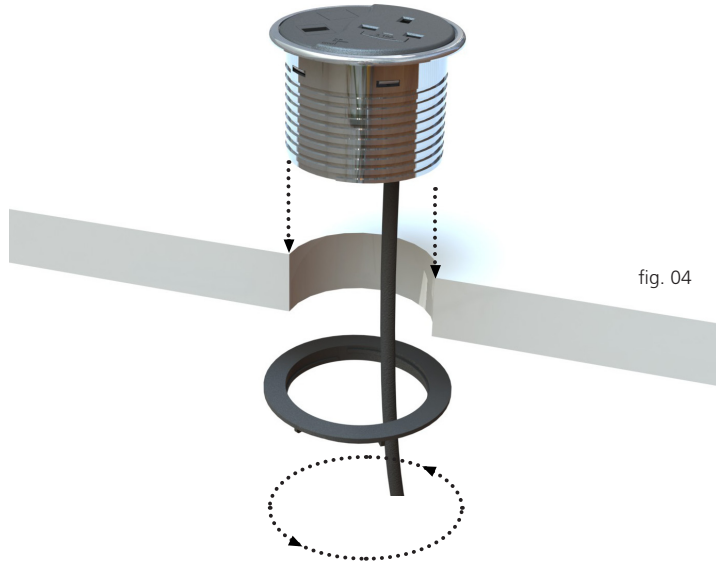


Installation Guide

PortHole Through Desk Power and Data Module

Quick and Easy to Install

1. Remove the fixing nut.
2. Place the module through the grommet hole (see fig.04).
3. Replace the fixing nut to secure. (see fig. 05)
4. Connect the power and data cables



User Guide & Maintenance

PortHole Through Desk Power and Data Module



The Data, USB and AV keystones can be replaced at any time.

For safety, we recommend that you unplug the power and the data cables before removing the inside section of the module.



To remove the unwanted keystone unit simply depress the holding clips (see fig. 06).

To fit the new keystone unit simply follow this process in reverse. (see fig. 07), before replacing the inside section and the data and power cables.

Cleaning, Storage & Maintenance

Service Components	Available to order.
Cleaning & Maintenance	Dry cloth, no abrasives or solvents to be used on the module surface.
Handling & Storage	Do not drop or expose to moisture.

Warning

Do not use this product for any purpose other than which it was designed for.

Do not over tighten the fixing nut.

All electrical cables should be fitted by a qualified electrician.

Do not attach power and/or data cables before fitting.

Do not dismantle or remodel the power module.

NB: CMD cannot accept any responsibility or liability for providing category 5e performance in products supplied. We will however, fit category 5e specification components where specified.

Additional Features

PortHole Through Desk Power and Data Module

Easy Fixing

The PortHole through desk power and data module has been designed to fit any desk that has been installed with a standard 80mm grommet hole.

Power and Data

The module can be supplied with a choice of power, data and AV configurations.

Replacable Keystone

Replacement Data, USB and AV keystone units can be supplied so the functionality of each PortHole can be changed at any time.

