

# Lumi™

## TABLE LAMP

Fact Sheet



Multi-use, bright and powerful, the Lumi has a large shade that can be adjusted vertically, horizontally and laterally to any desired position. Lumi is a professional workstation lamp that enables you to see fine details and true colours.



LIGHT QUALITY



ERGONOMICS



DESIGN

---

LED 6,000°K daylight

---

3,800 Lux at 15cm (12")

---

2 brightness levels

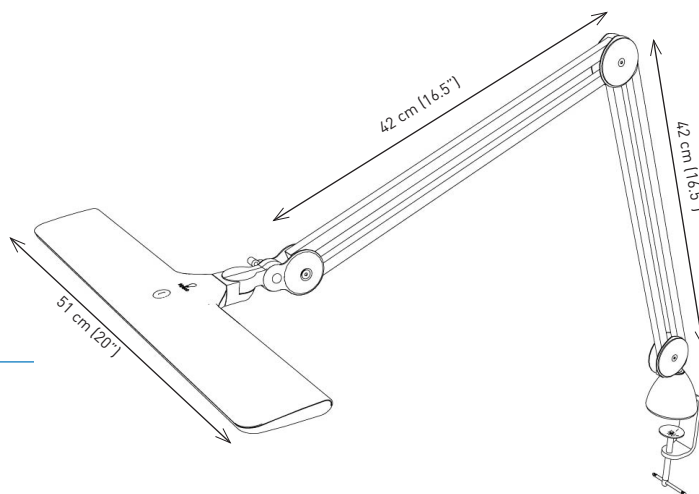
---

[daylightcompany.com](http://daylightcompany.com)

# Lumi<sup>TM</sup>

## TABLE LAMP

D35500



### FEATURES

- Wide shade for an even spread of light over a large area
- 2 brightness levels
- Long reach 100 cm
- Multi position head to direct the light where needed
- 2 years guarantee

### SPECIFICATIONS

#### Product information

Weight	2 kg (4.4 lb)
Colour	White
Cable length	2.1 m (83")

#### Light output

Light source	LED
Lumens	1,320 lm
Lux at 30 cm	3,800
Colour temperature	6,000°K
CRI	80+
Energy consumption	15W

#### Packaging information

Height	36 cm (14")
Width	74.2 cm (29.2")
Depth	7.6 cm (30")
Packed weight	3 kg (6.6 lb)
Products per master carton	4