

Electric Standing Desk

User Manual

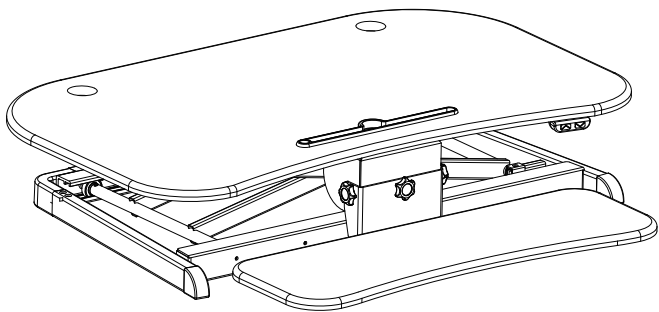
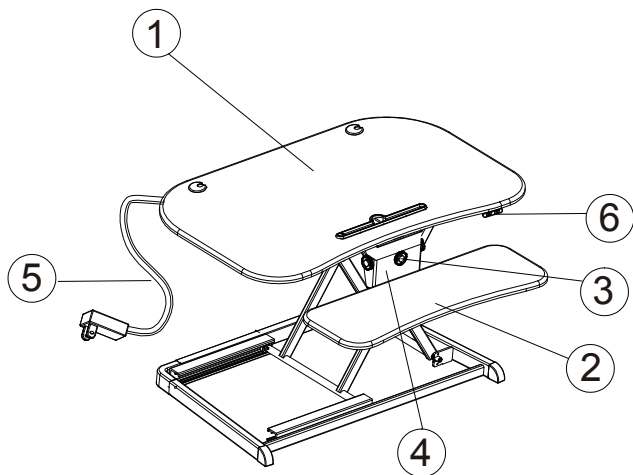


TABLE OF CONTENTS

Parts and Hardware List	01
Parts	02
Step 1	03
Step 2	04
Step 3	04
G Keypad use instruction	05
Operation Guide	05

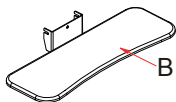
PARTS AND HARDWARE LIST

NO	Component Name	Qty
1	Desk Riser	1
2	Keyboard Tray	1
3	Knob	3
4	Table Connector	1
5	Power Cord	1
6	Key Pad	1





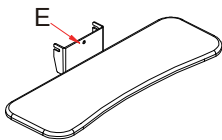
A Desk Riser X1



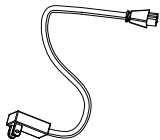
B Keyboard Tray X1



C Center Knob X1
D Side Knobs X2



E Table Connector X1



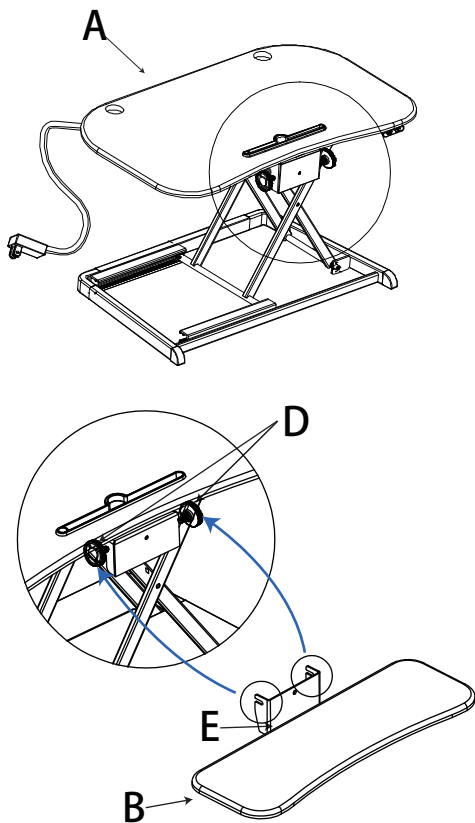
F Power Cord X1



G Key Pad X1

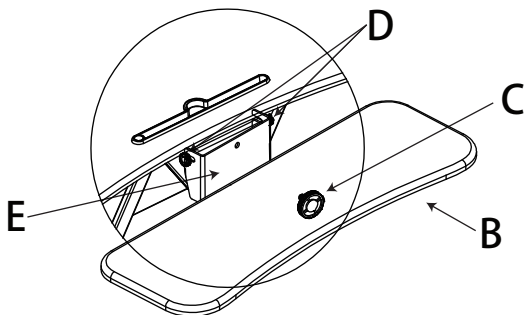
STEP 1

Place B(Keyboard Tray) onto E(Table Connector) and fix on D(Side Knobs).



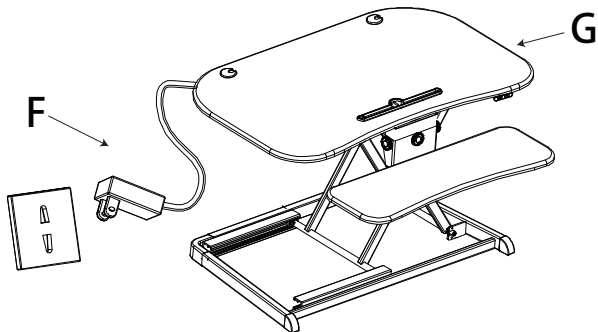
STEP 2

Hold B(Keyboard Tray) and attach C (Center Knob) into E(Table Connector). Firmly screw C(Center Knob) and D(Side Knobs).

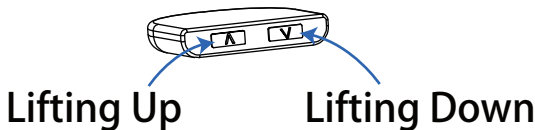


STEP 3

Plug F(Power Cord), all set.



Drive the desk to the desired height when pressing and holding “↑” or “↓” button.



Initialization of the parallel systems

Step 1: Power on

Step 2: Press up and down key together for about 30s until you hear a “ beep” then press down button to finish resetting.

After that, you can use this height adjustable desk now.

You have to do the initialization when meet the following situations

1. After the Linear Actuators have been installed into the table.
2. Table has been moved.
3. Some failures occurred.

Reset

Same as step 2