



TECHNICAL SPECIFICATION SHEET

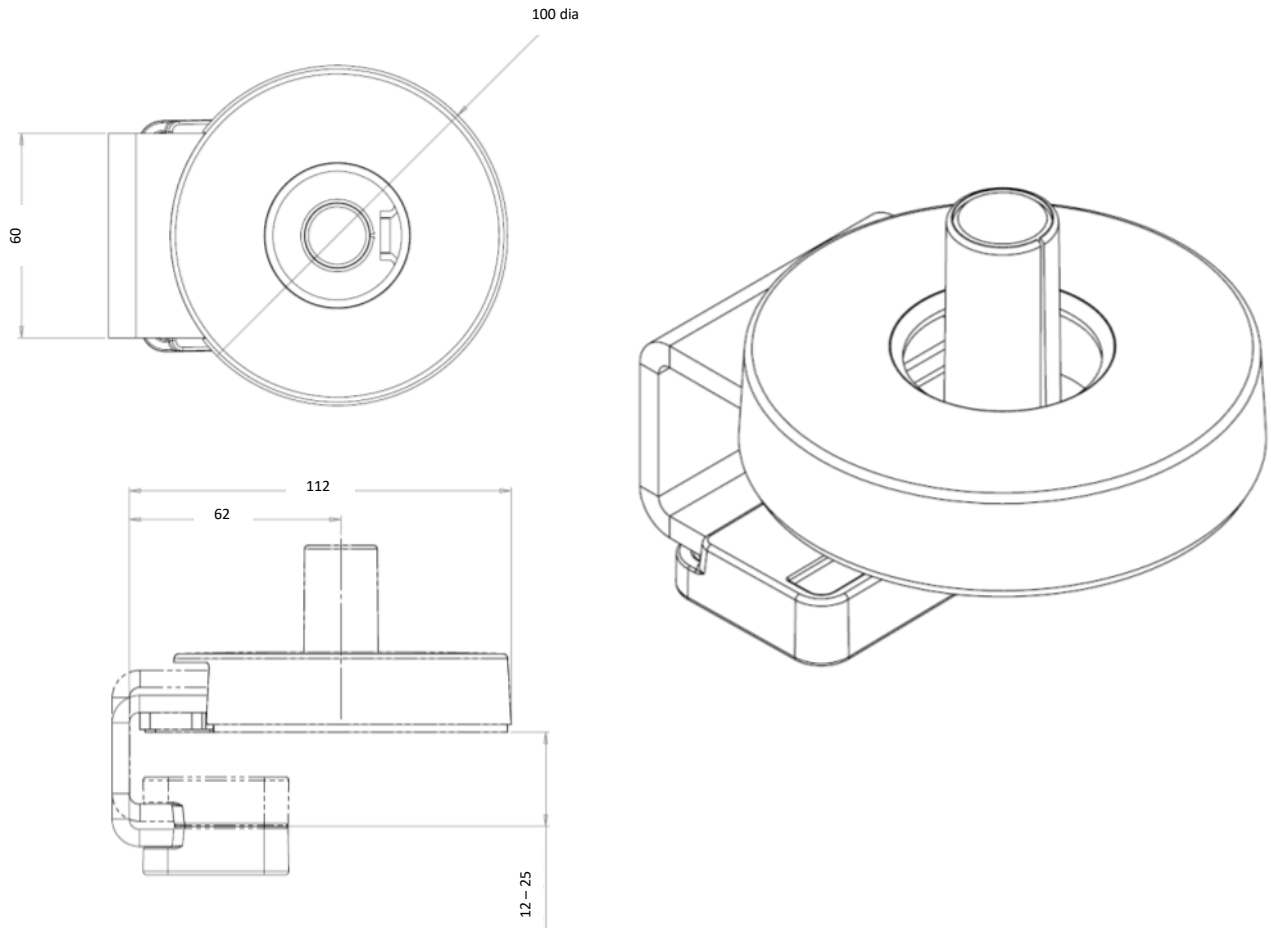
PRODUCT NAME: Flo Top Mount Clamp

PRODUCT CODE: DYN/013/C27

Doc Rev 3.

Product Rev #A

26.03.18 KO



*Note dimensions are in mm.

KEY FEATURES

- Suitable for desk thickness of 12 -25mm
- Soft pads protects work surface from damage
- Configurable 180° stop system
- Top access screw position permits easy fitting from above-desk position
- Attractive cover conceals fixing screws

Product Classification	Brackets, Clamps and Fixings
Max load	9kg (20lb)
Recycled content	12%
Total product recyclable	100%

LOGISTICAL

Package contains:	Top Mount Clamp, fixings, instruction sheet.
Product net weight:	0.742kg
Package dims:	120mm x 100mm x 90mm approx. (Packed in poly bag)
Package gross weight:	0.768kg
Carton quantity:	24pcs
Carton dims:	505mm x 295mm x 230mm
Carton gross weight:	19kg
Pallet quantity:	576pcs (i.e. 24 x cartons)
Pallet dims (WxDxH):	1045mm x 920mm x 1040mm
Pallet gross weight:	488kg
Country of origin	China
Country of configuration	UK

ORDERING INFORMATION

<u>Product Description</u>	<u>Product code</u>	<u>Colour</u>
Flo Top Mount Clamp	DYN/013/C27	/S Silver, /W White, /B Black

WARRANTY

Warranty Term	Limited lifetime
----------------------	------------------

COMPLIANCE & SAFETY CERTIFICATION

Whilst no mandatory standards apply to the monitor arm product sector, all Colebrook Bosson Saunders monitor arms have been designed with appropriate articulation features, dimensional range and adjustability to conform to the requirements of BS EN ISO 9241:5 1999 Ergonomic requirements for office work with visual display terminals (VDTs).

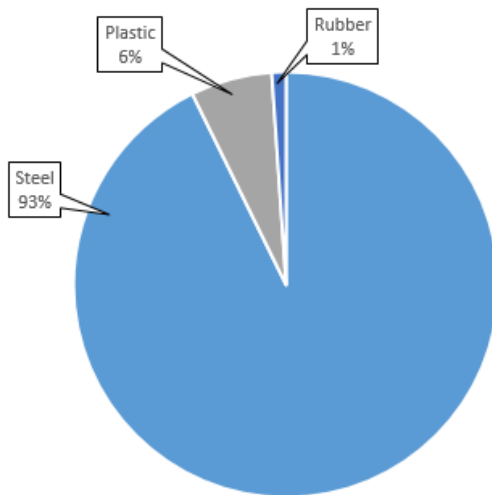
Conformance certification	N/A
Test authority	CBS
Safety certification	N/A

ENVIRONMENTAL

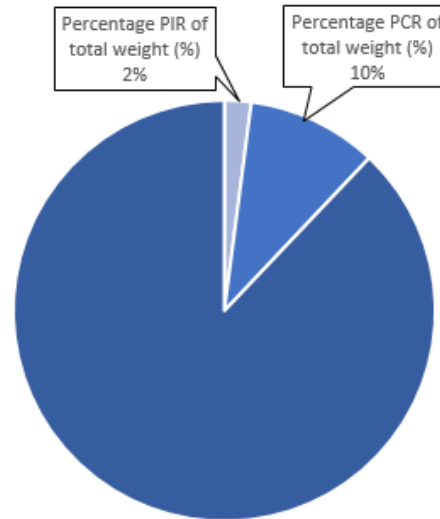
Material Make-up			Total Recycled Content	Breakdown of Recycled Content		Total Recyclable	
Overall Product			Overall Product	Overall Product		Overall Product	
Material type	Total Material type weight (g)	Percentage of Total Product Weight (%)	Material-Type Recycled Content (%)	Percentage PIR of total weight (%)	Percentage PCR of total weight (%)	Total Product Recyclable (g)	Total Product Recyclable (%)
Steel	688	93%	12%	2%	10%	688	93%
Plastic	46	6%	0%	0%	0%	46	6%
Rubber	8	1%	0%	0%	0%	8	1%
Total	742	100%	12%	2%	10%	742	100%

PIR = Post Industrial Recycled
PCR = Post Consumer Recycled

Total Product Weight (%)



Total Product Recycled Content (%)



CLEANING, STORAGE & MAINTENANCE

Routine servicing	Periodic inspection
Service components	Available to order
Cleaning & Maintenance	Damp cloth, no abrasives, no solvents to be used on the cosmetic surfaces
Handling & Storage	Do not drop or expose to moisture

While every effort is made to ensure the accuracy of our technical information, Colebrook Bosson Saunders (Products) Ltd accept no liability for the accuracy of the information contained in this document and reserve the right to modify the specifications or data contained herein without prior notification.