



TECHNICAL SPECIFICATION SHEET

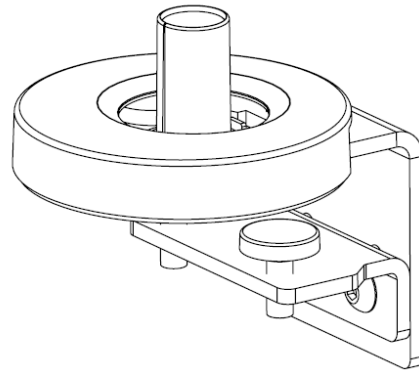
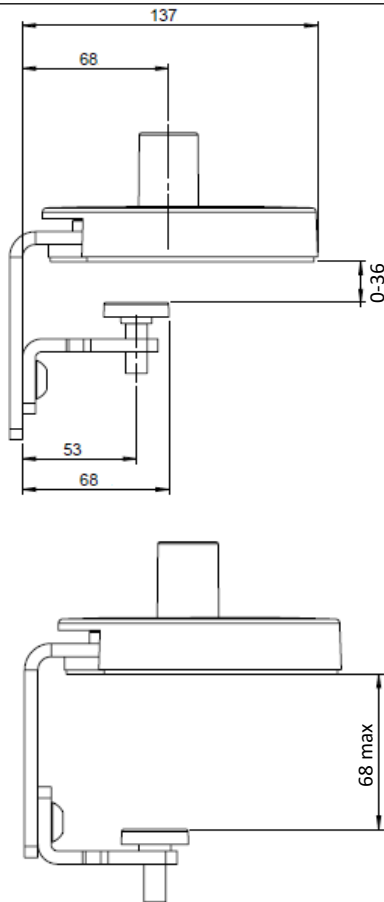
PRODUCT NAME: Flo Plus Split Clamp

PRODUCT CODE: DYN/026/A35

Doc Rev 3.

Product Rev #A

03.08.2016 CF



*Note that dimensions provided are measured in mm

KEY FEATURES

- Compatible with Flo Plus Dynamic Monitor Arm.
- Top access screw position permits easy fitting from above-desk position.
- Attractive cover conceals fixing screws.
- Split design permits fitting in restricted space at rear of desk, e.g. between work surface and rear-of-desk screen panel.
- Moulded pad protects work surface.
- Configurable 180° stop system.

Product Classification	Brackets, Clamps and Fixings
Max load	18kg (39.6lb)
Clamping range	0-68 mm work surface thickness
Recycled content	13.3%
Total product recyclable	100%

LOGISTICAL

Box contains	Clamp assembly and allen keys
Product net weight	2kg
Box dims (HxWxD)	165 x 140 x 140 mm
Box gross weight	2.2kg
Carton quantity	8
Master dims (HxWxD)	300 x 300 x 300 mm
Master weight	18.2kg
Country of origin	China
Country of configuration	UK

ORDERING INFORMATION

<u>Product Description</u>	<u>Product code</u>	<u>Colour</u>
Flo Plus Split Clamp	DYN/026/A35	:/W White

WARRANTY

Warranty Term	Limited lifetime warranty
----------------------	---------------------------

COMPLIANCE & SAFETY CERTIFICATION

Whilst no mandatory standards apply to the monitor arm product sector, all Colebrook Bosson Saunders monitor arms have been designed with appropriate articulation features, dimensional range and adjustability to conform to the requirements of BS EN ISO 9241:5 1999 Ergonomic requirements for office work with visual display terminals (VDTs).

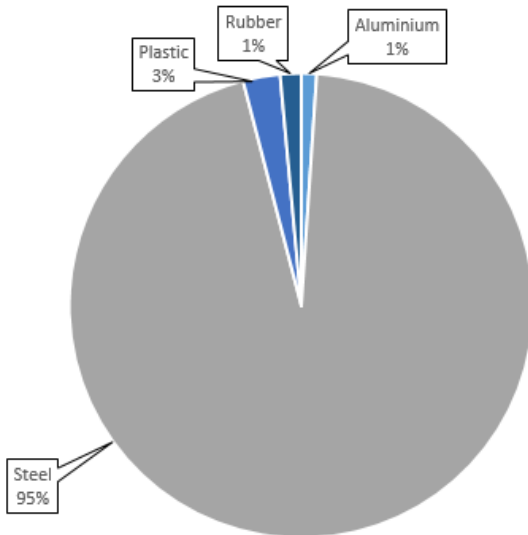
Conformance certification	BS EN ISO 9241:5 1999 Ergonomic Requirements for office work with visual display terminals (VDTs). FIRA certificate of conformance pending.
Test authority	CBS
Safety certification	N/A

ENVIRONMENTAL

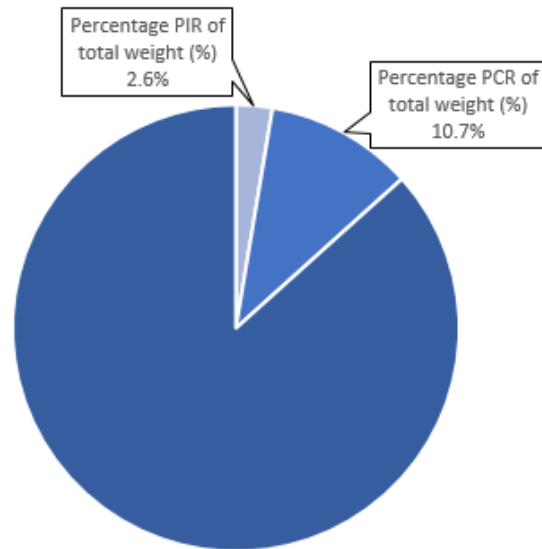
Material Make-up			Total Recycled Content	Breakdown of Recycled Content		Total Recyclable	
Overall Product			Overall Product			Overall Product	
Material type	Total Material type weight (g)	Percentage of Total Product Weight (%)	Material-Type Recycled Content (%)	Percentage PIR of total weight (%)	Percentage PCR of total weight (%)	Total Product Recyclable (g)	Total Product Recyclable (%)
Aluminium	20.1	1%	1.0%	0.5%	0.5%	20.1	1.06%
Steel	1805.1	95%	12.3%	2.1%	10.2%	1805.1	94.90%
Plastic	49	3%	0.0%	0.0%	0.0%	49.0	2.58%
Rubber	27.9	1%	0.0%	0.0%	0.0%	27.9	1.47%
Total	1902.1	100%	13.3%	2.6%	10.7%	1902.1	100.00%

PIR = Post Industrial Recycled
PCR = Post Consumer Recycled

Total Product Weight (%)



Total Product Recycled Content (%)



CLEANING, STORAGE & MAINTENANCE

Routine servicing

Periodic inspection

Service components

Available to order

Cleaning & Maintenance

Damp cloth, no abrasives, no solvents to be used on the cosmetic surfaces

Handling & Storage

Do not drop or expose to moisture

While every effort is made to ensure the accuracy of our technical information, Colebrook Bosson Saunders (Products) Ltd accept no liability for the accuracy of the information contained in this document and reserve the right to modify the specifications or data contained herein without prior notification.