

# The WFH Desk

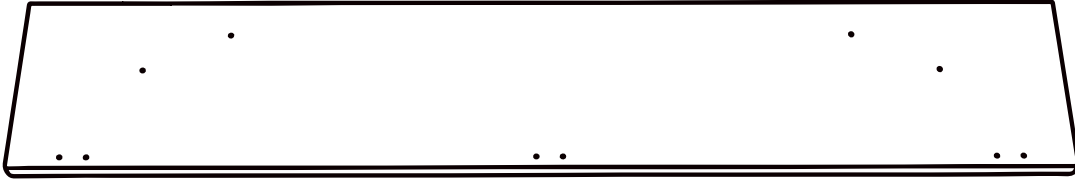


# DESKMATE

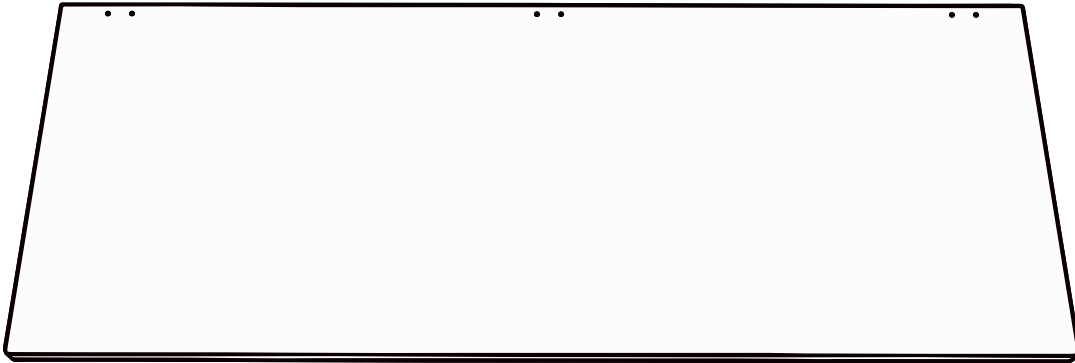


# Instruction manual

# What's in the box?



x1  
TT\_01



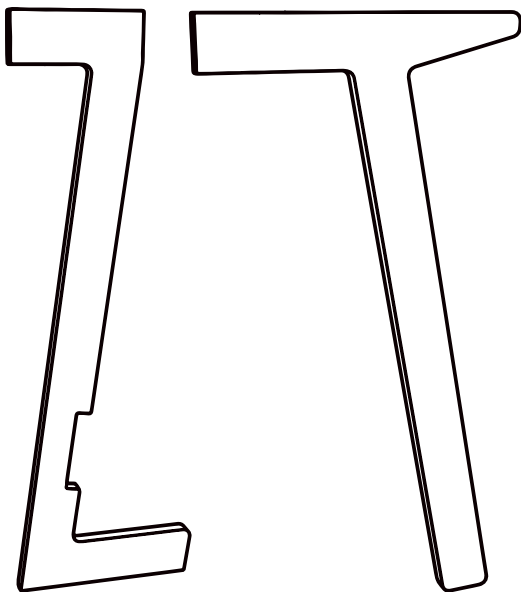
x1  
TT\_02



x1  
BB\_01



x1  
FB\_01



x2  
LG\_01

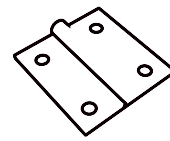
x2  
SL\_01



x10  
DL\_01



x10  
CL\_01



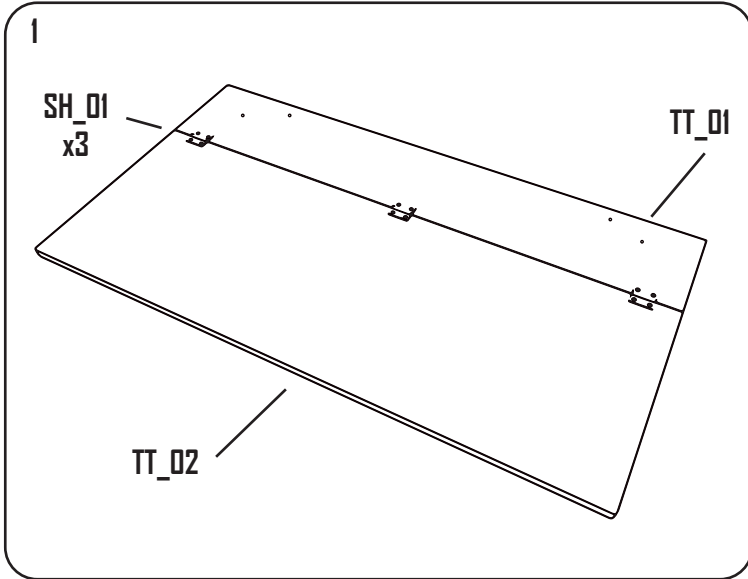
x5  
SH\_01



x20  
WS\_01

Tools needed: Phillips  
Head Screwdriver

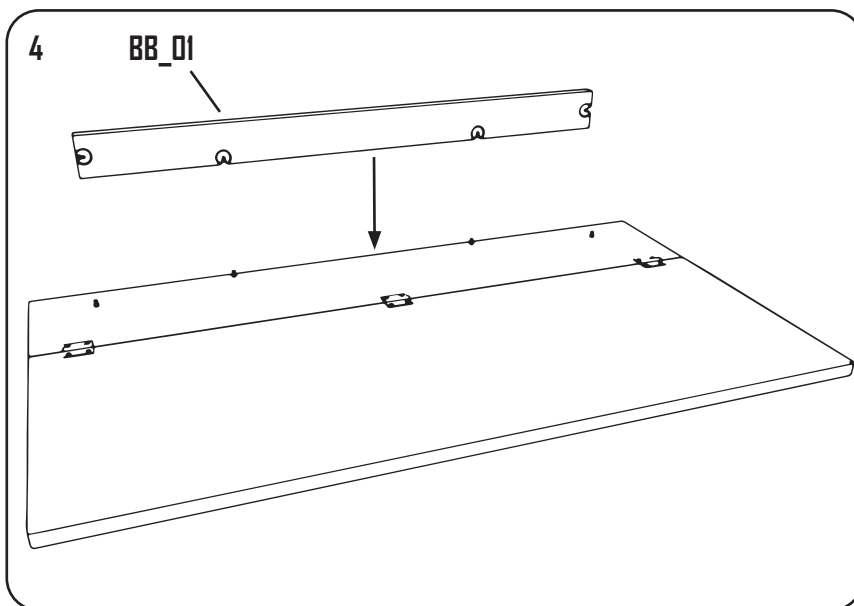
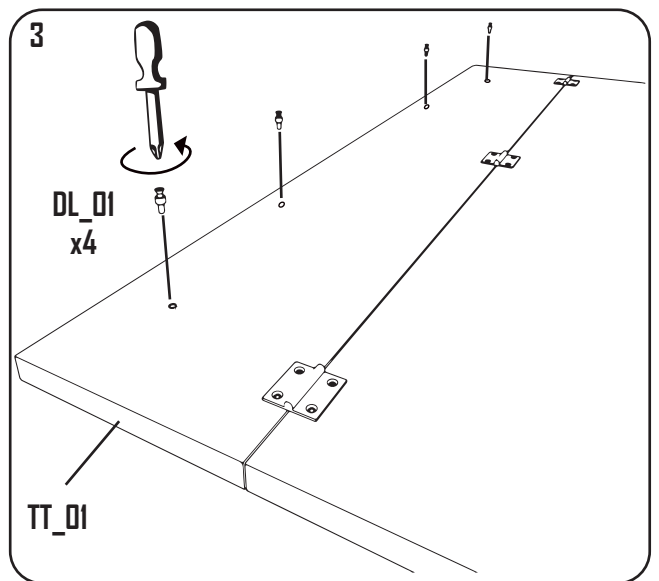
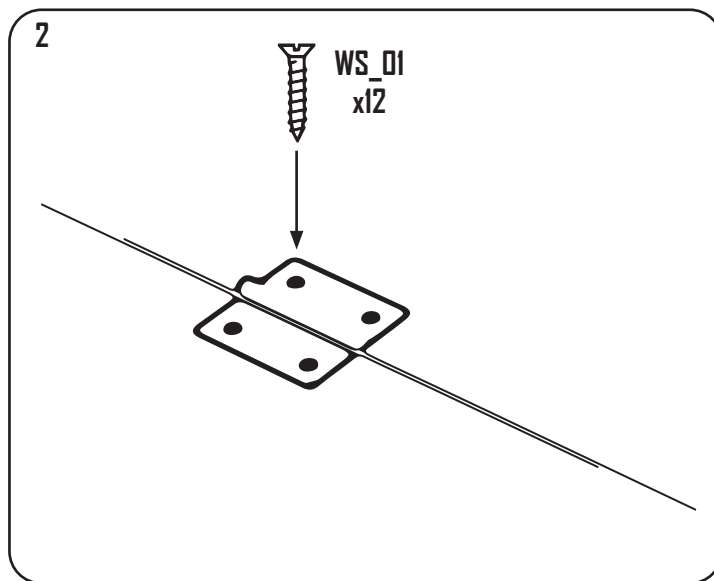




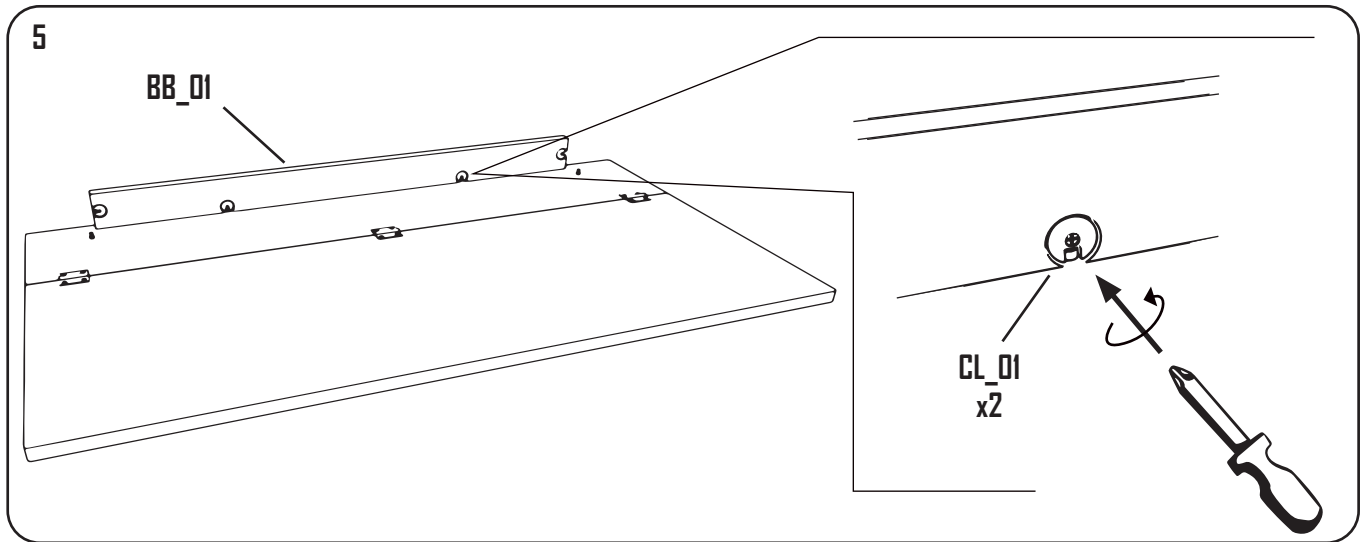
1. Move the 3 hinges (SH\_01) into place on top of TT\_01 and TT\_02 by aligning the screw holes

2. Screw the hinges to the wooden pieces TT\_01 and TT\_02 using WS\_01 screws (4 screws per hinge)

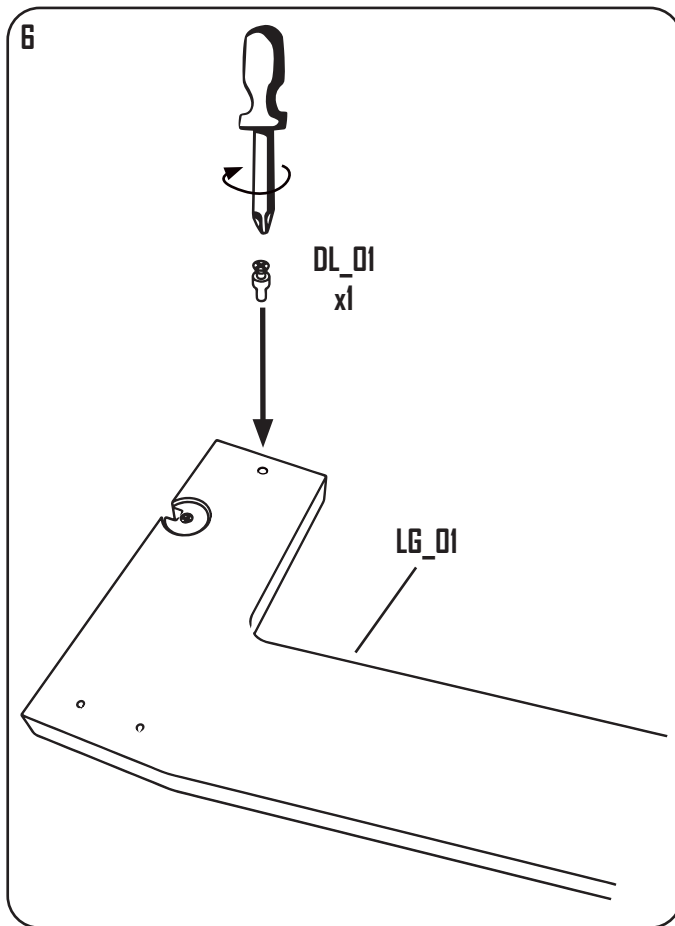
3. Screw into place 4x DL\_01 dowels onto TT\_01 until the shoulder of DL\_01 is flush with the wood



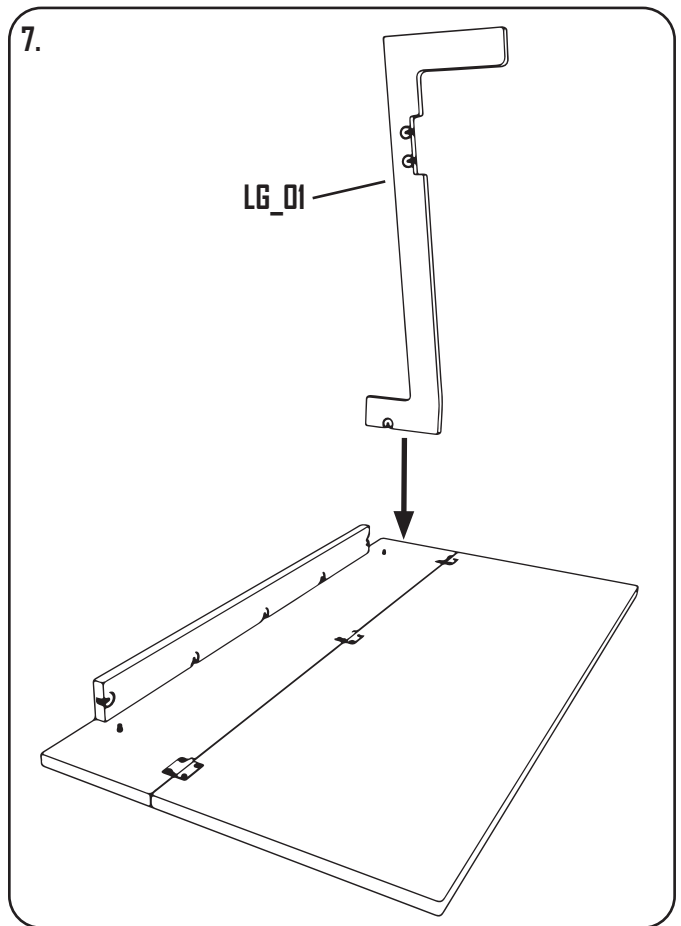
4. Move the back brace (BB\_01) into place by sliding it down onto the dowels (DL\_01) on TT\_01



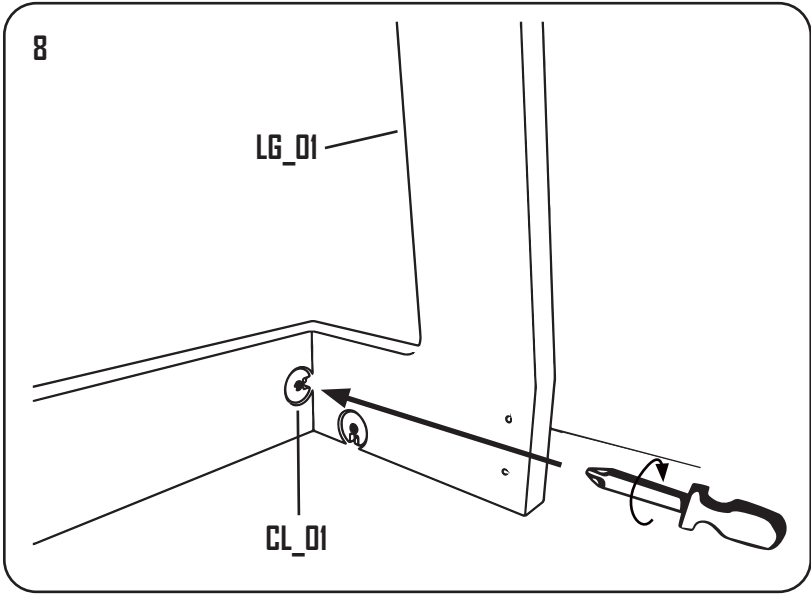
5. Screw the back brace into place by rotating the CAM screw inside CL-01 so it grabs onto the dowel DW\_01. You should not be able to remove BB\_01 from TT\_01 if step 5 is done correctly.



6. Screw into place 1x DL\_01 dowels onto LG\_01 until the shoulder of DL\_01 is flush with the wood. Repeat step 6 for the other leg (LG\_01)

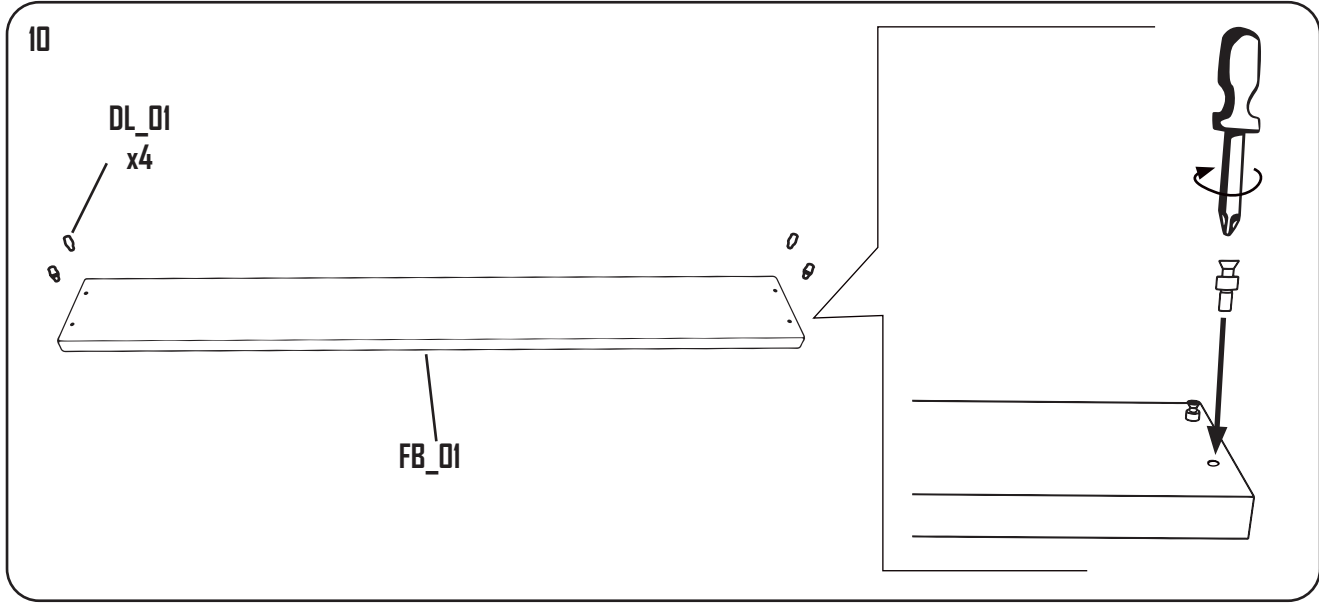
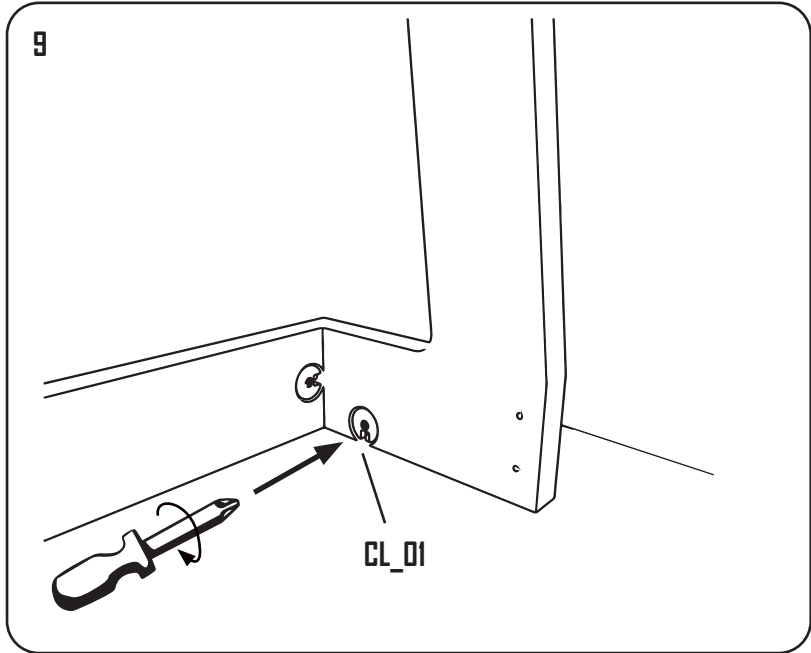


7. Move the back leg (LG\_01) into place by sliding it down onto the dowel (DL\_01)

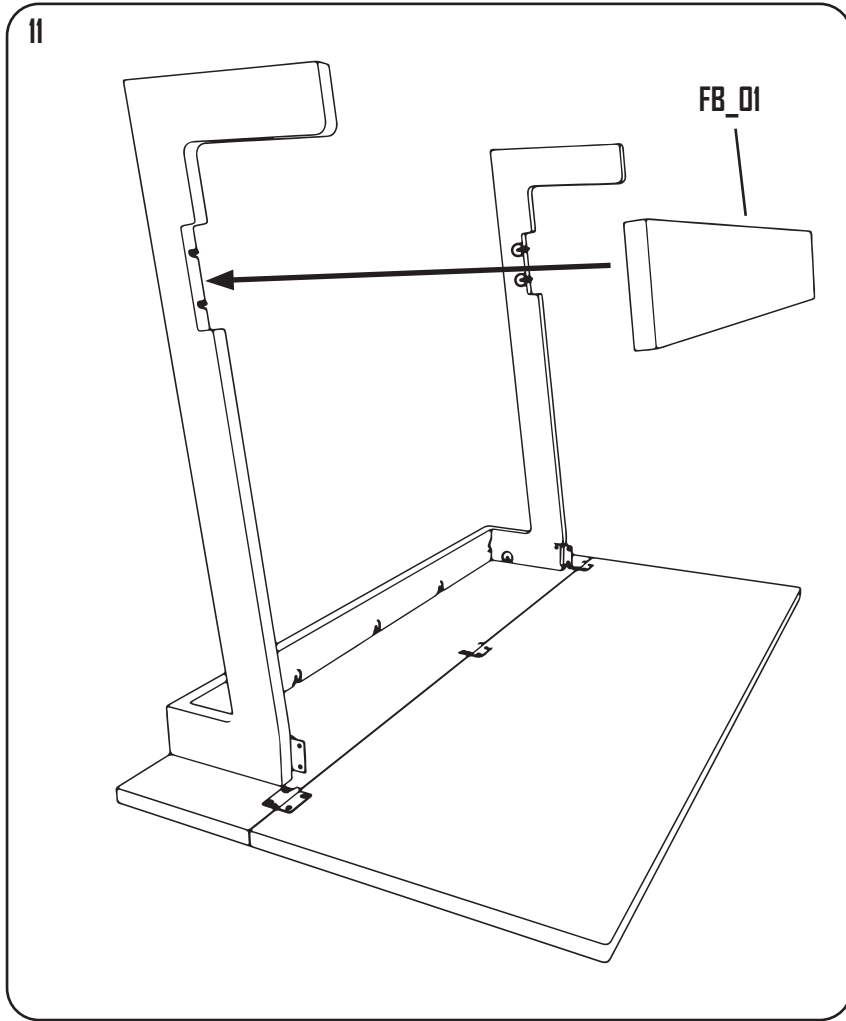


8. Screw the leg into place by rotating the CAM screw inside CL-01 so it grabs onto the dowel DW\_01

9. Repeat step 8 on the remaining CAM screw (CL\_01)



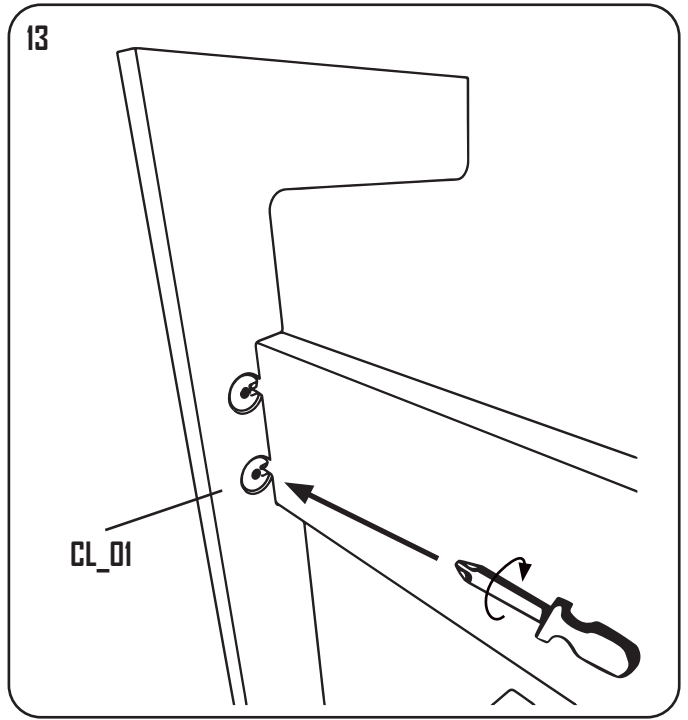
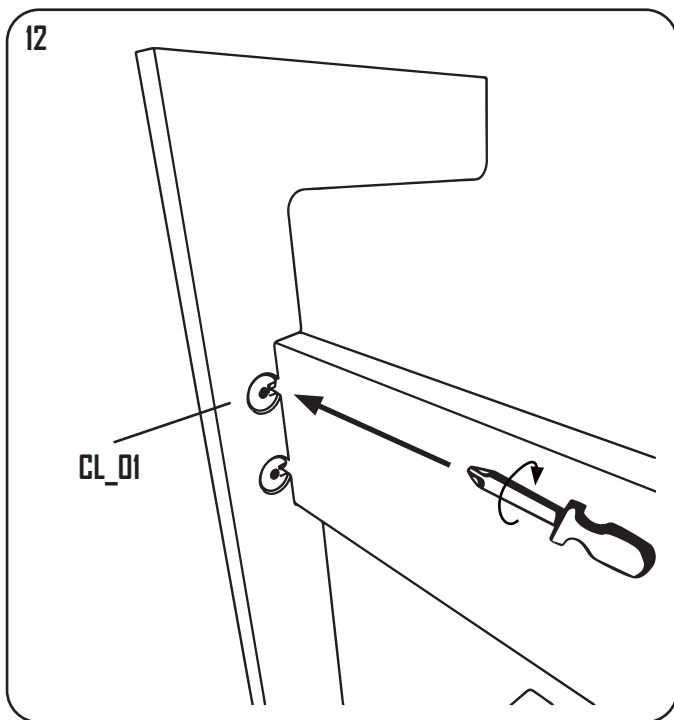
10. Screw into place 4x DL\_01 dowels onto FB\_01 until the shoulder of DL\_01 is flush with the wood



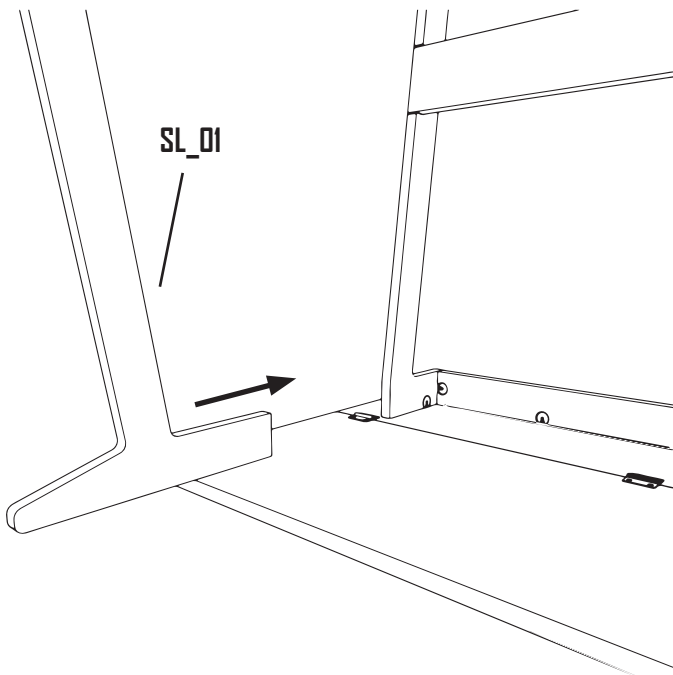
11. Move the front leg (FL\_01) into place

12. Screw the brace (FB\_01) into place by rotating the CAM screw inside CL-01 so it grabs onto the dowel DW\_01.

13. Repeat step 12 for the other CAM screw (CL-01)



14

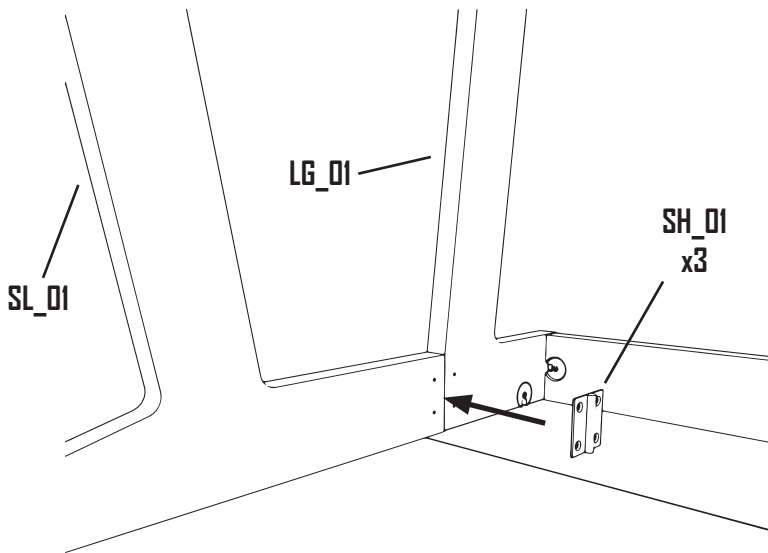


14. Move the leg (SL\_01) into place

15. Move the hinge (SH\_01) into place by aligning the screw holes

16. Screw the hinge to the wooden pieces SL\_01 and LG\_01 using WS\_01 screws (4 screws per hinge). Repeat step 14-16 for the other leg (SL\_01)

15



16

