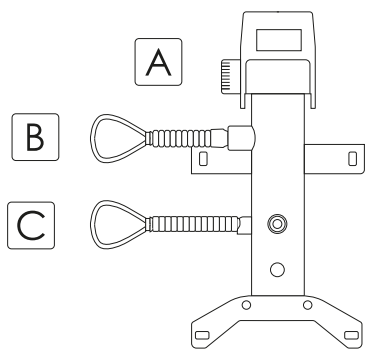
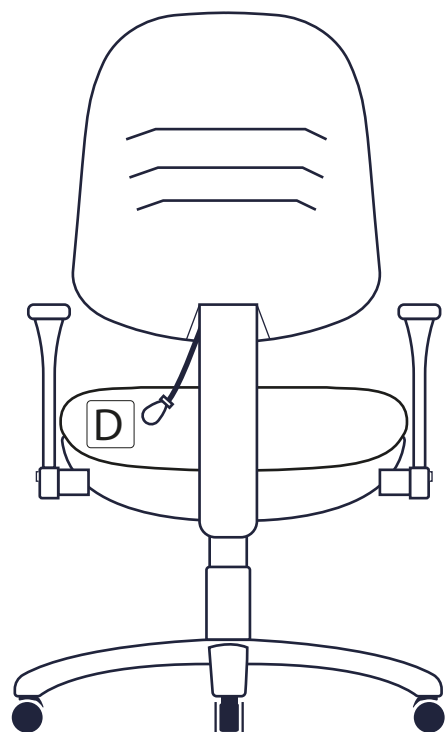


Homeworker Ergonomic Office Chair - with armrests



A- Manual Back Height Adjustment

B- Back Angle Adjustment

C- One Touch Seat Height Adjustment

D- Inflatable Lumbar - Added Extra



Homeworker Ergonomic Office Chair - with armrests



1

Locate the Gas Lift

Remove the 5 star base from the box and place it down on the floor. Remove the gas lift from the box and firmly push it into the hole located in the centre of the 5 star base. Please ensure that the gas lift is located securely before continuing to step 2.

2

Locate the Seat Pan

Remove the pre-assembled seat and mechanism from the box and locate onto the gas lift by fitting the top of the gas lift into the circular hole of the seat mechanism. Press down firmly to ensure the seat is fitted securely before moving on to step 3.

3

Locate the Chair Back

Remove pre-assembled chair back from the box and push it firmly into the aperture at the rear of the seat assembly. Your product is now assembled. Please make sure that all push fit connections are secure before using your product.



Fit Arms First (if supplied)

Supplied:

- 1 x Allen Key
- 2 x 35mm Bolts
- 4 x 40mm Bolts
- 6 x M6 Washers

Info:

- Slide washers onto all bolts
- Fit 35mm bolts into single hole
- Fit 40mm bolts into bottom holes
- (do not fully tighten each bolt individually, tighten them all 3/4 of the way, then tighten fully)

