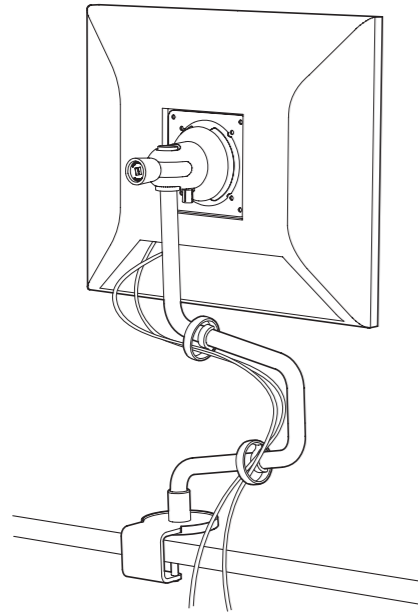


rodney

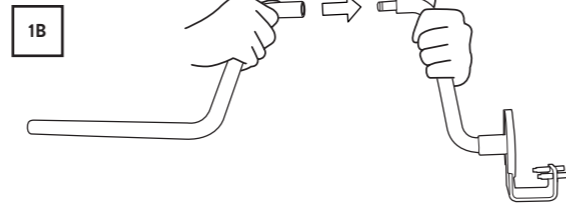
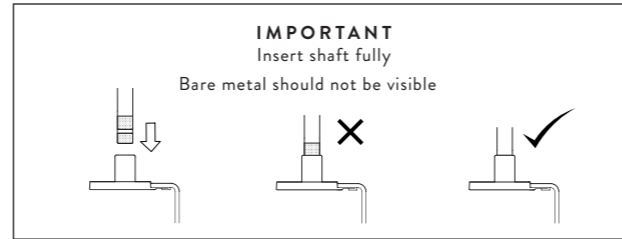


**RODNEY  
DESK CLAMP INSTRUCTIONS**

SUN/001

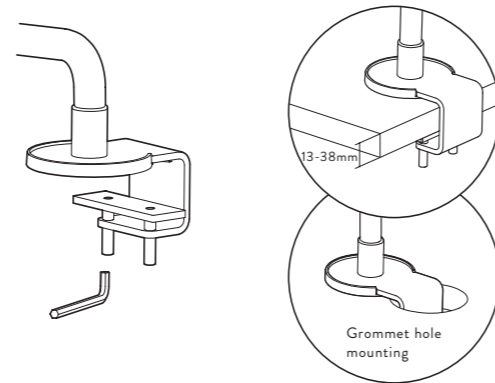


**MOUNT ARMS ON TO DESK CLAMP**



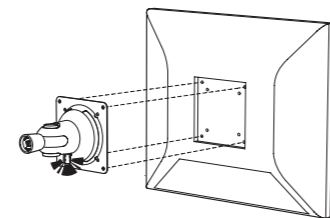
**IMPORTANT**  
Once assembled joints can not be separated

**MOUNT TO DESK**



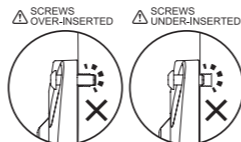
**MOUNT MONITOR HEAD**

Use screws supplied

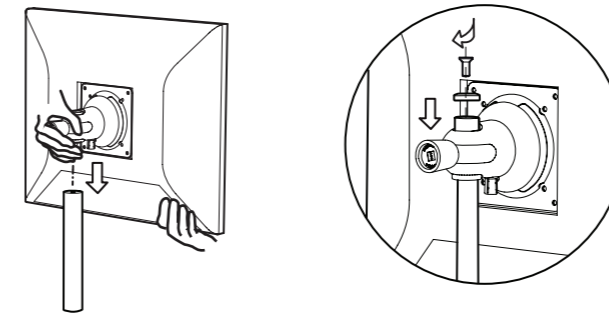


Adjustment knob  
point downwards

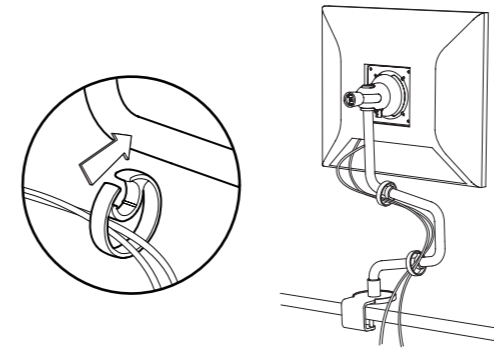
**IMPORTANT**  
It is the responsibility of the installer to ensure all mounting screws are properly engaged with a minimum of 4 x 360° turns into the display. Under or over insertion may cause damage to the equipment or injury to personnel



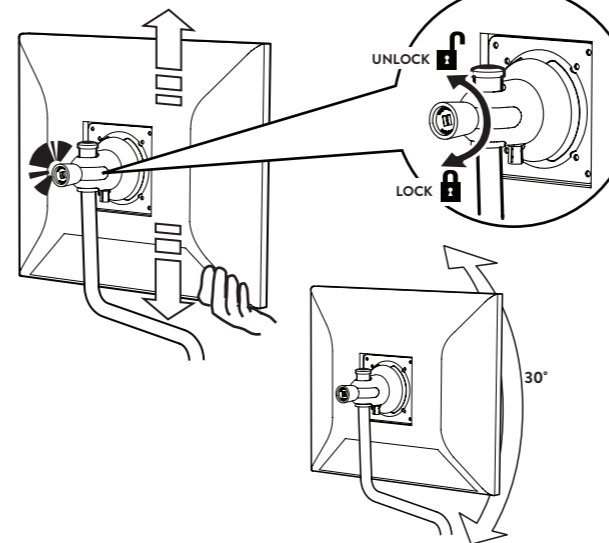
**LOADING MONITOR AND  
SECURING TOP CAP**



**CABLE MANAGEMENT**

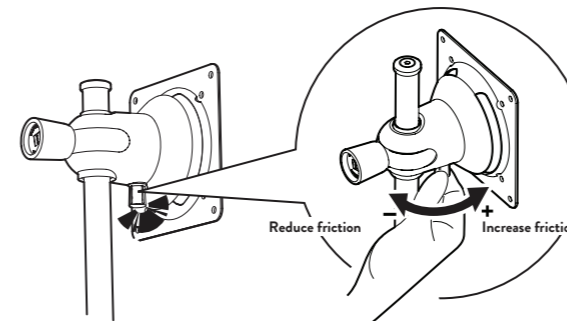


**MONITOR ADJUSTMENT**

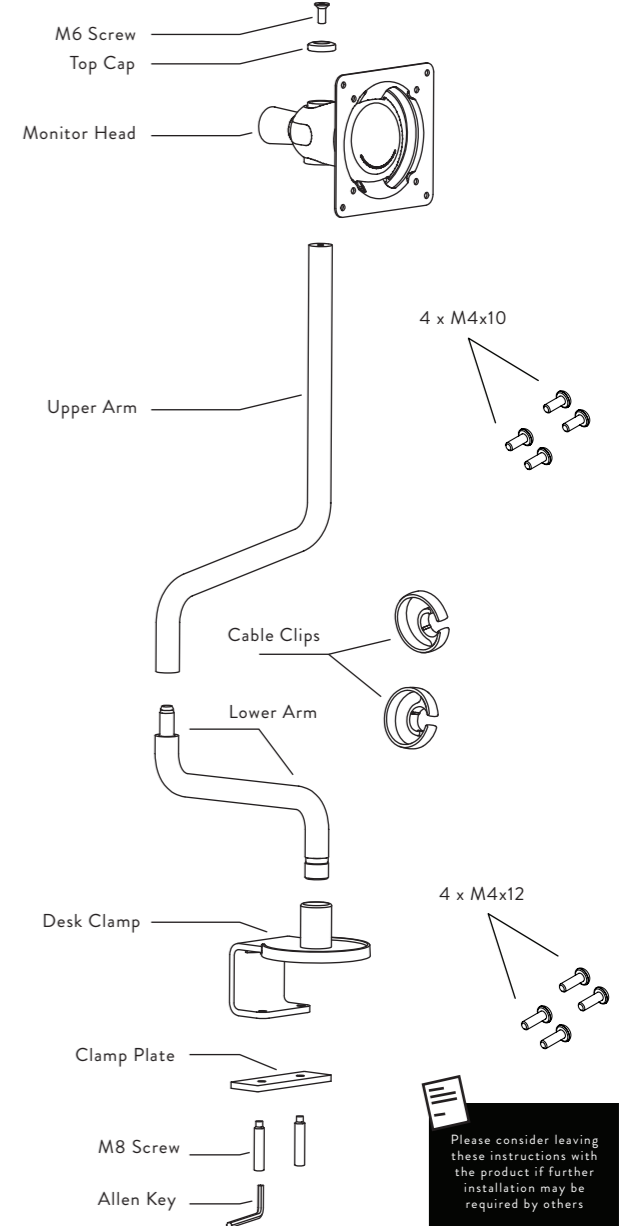


**IF MONITOR DOES NOT BALANCE**

To adjust friction  
of tilt, if required



**COMPONENT LIST**



Please consider leaving these instructions with the product if further installation may be required by others

**PATENTS**

Colebrook Bosson Saunders hold a number of patents and other intellectual property rights covering our products and processes. You can find patent information on our website at: [www.colebrookbossonsaunders.com/patents](http://www.colebrookbossonsaunders.com/patents)

**WARNING**

- Ensure desk / work surface / wall / partition is suitable to take the weight of the arms and monitors.
- Do not use this product for any purpose other than that for which it was designed.
- Supported weight must not exceed 8.5kg (18.7lb) per arm.
- Hold the monitor tightly when making adjustments.
- Care should be taken to avoid trapping fingers.
- Do not dismantle or remodel the arms.
- Do not attach the monitor before assembling the arm.
- Some monitors have recesses and may require spacers or a 75mm VESA plate.

**MAINTENANCE AND INSPECTION**

- Ensure all screws are tightened and occasionally re-tighten if needed.

**DISCLAIMERS**

- The use of power tools, lever bars or excessive force during the installation, or re-configuration of the product will invalidate your guarantee.
- Failure to observe the recommendations in the use, and configuration of these products may affect your guarantee.
- As part of Colebrook Bosson Saunders ongoing product improvement programme, the design of products may change without prior notice and details may vary from those illustrated.

SUN-001-INST-G-FEB2018



[www.colebrookbossonsaunders.com](http://www.colebrookbossonsaunders.com)

FOLD

FOLD

FOLD

PRINT SIZE - A3 420MM X 297MM