



TECHNICAL SPECIFICATION SHEET

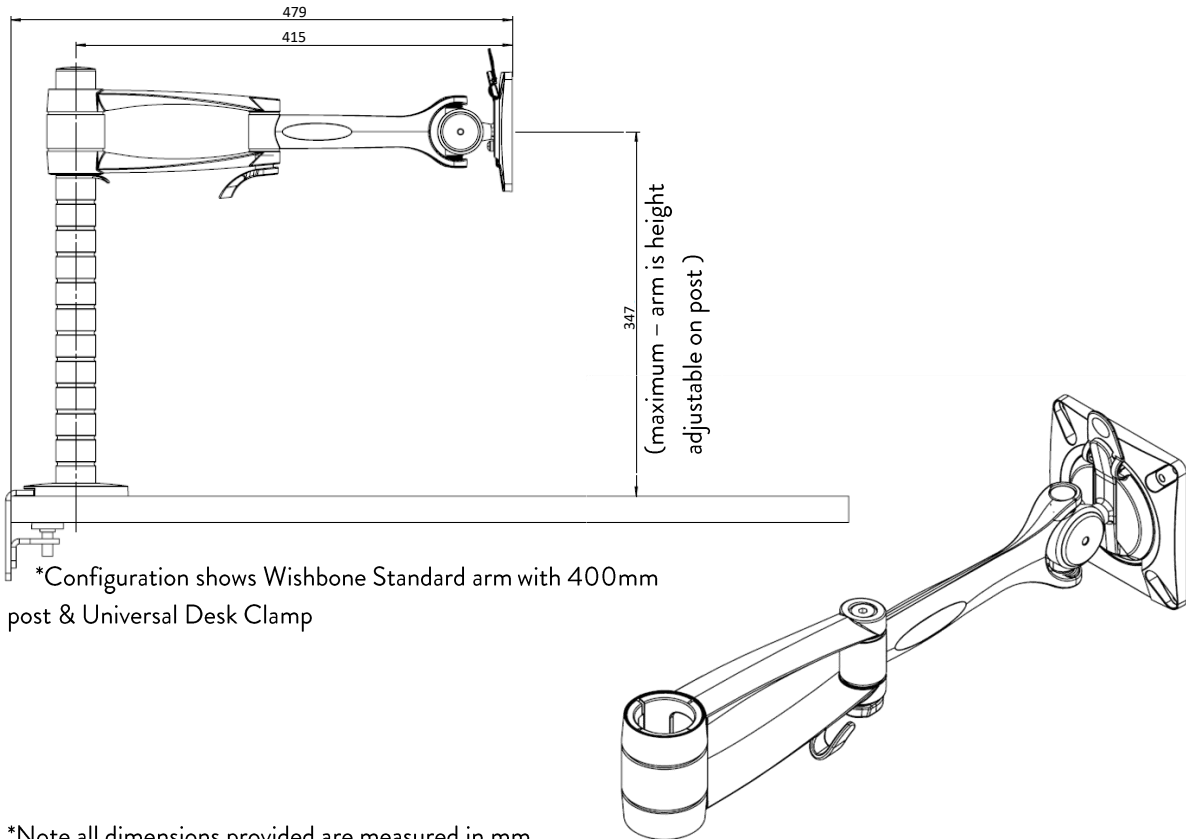
PRODUCT NAME: Wishbone Standard Monitor Arm

PRODUCT CODE: WSH/001/PQR

Doc Rev 3.

Product Rev #P

12.09.17 CF



*Note all dimensions provided are measured in mm

KEY FEATURES

- Iconic design
- Easy to install
- Mounts to walls, slatwalls and desks using a variety of fixing options
- Fits with all CBS posts to give a wide range of height / aesthetic / cost options.
- Over 90 degree vertical tilt to avoid glare
- Over 180 degree horizontal movement
- Easy to change screen orientation: portrait to landscape
- Supplied with cable management clip

| | |
|---------------------------------|---------------|
| Product Classification | Monitor Arms |
| Max load | 12kg (26.4lb) |
| Horizontal Range | 415mm |
| Recycled content | 68.60% |
| Total product recyclable | 100% |

LOGISTICAL

| | |
|---------------------------------|--------------------|
| Box contains | Arm and PQR Head |
| Product net weight: | 1.09 kg |
| Box dims (HxWxD) | 62 x 125 x 460 mm |
| Box gross weight | 1.23 kg |
| Carton quantity | 12 |
| Master dims (HxWxD) | 275 x 390 x 485 mm |
| Master weight | 15.8 kg |
| Country of origin | China |
| Country of configuration | UK |

ORDERING INFORMATION

| <u>Product Description</u> | <u>Product code</u> | <u>Colour</u> |
|-----------------------------------|----------------------------|----------------------|
| Wishbone Standard Monitor Arm | WSH/001/PQR | :/S Silver |

WARRANTY

| | |
|----------------------|------------------|
| Warranty Term | Limited lifetime |
|----------------------|------------------|

COMPLIANCE & SAFETY CERTIFICATION

Whilst no mandatory standards apply to the monitor arm product sector, all Colebrook Bosson Saunders monitor arms have been designed with appropriate articulation features, dimensional range and adjustability to conform to the requirements of BS EN ISO 9241:5 1999 Ergonomic requirements for office work with visual display terminals (VDTs).

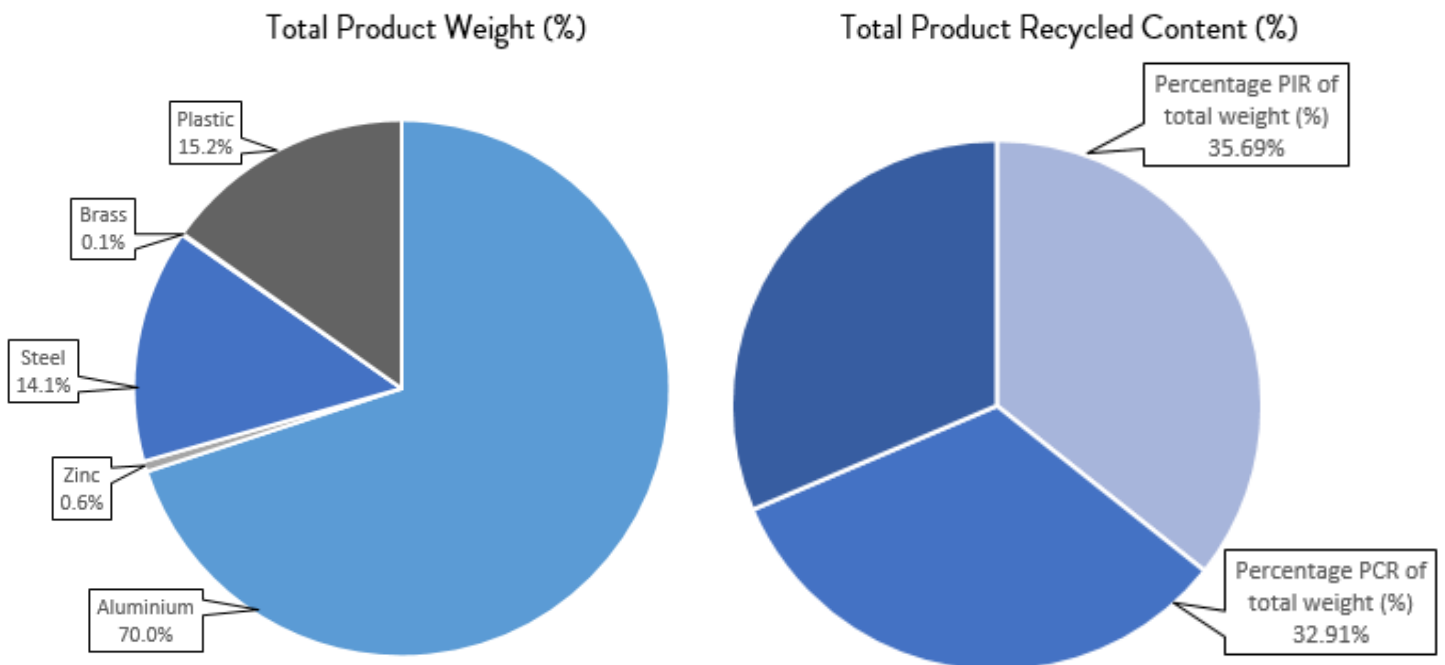
| | |
|----------------------------------|-----|
| Conformance certification | N/A |
| Test authority | CBS |
| Safety certification | N/A |

ENVIRONMENTAL

| Material Make-up | | | Total Recycled Content | Breakdown of Recycled Content | | Total Recyclable | |
|------------------|--------------------------------|--|------------------------------------|------------------------------------|------------------------------------|------------------------------|------------------------------|
| Overall Product | | | Overall Product | | | Overall Product | |
| Material type | Total Material type weight (g) | Percentage of Total Product Weight (%) | Material-Type Recycled Content (%) | Percentage PIR of total weight (%) | Percentage PCR of total weight (%) | Total Product Recyclable (g) | Total Product Recyclable (%) |
| Aluminium | 764 | 70.0% | 66.48% | 35.24% | 31.25% | 764.0 | 69.98% |
| Zinc | 7 | 0.6% | 0.28% | 0.14% | 0.14% | 7.0 | 0.64% |
| Steel | 153.7 | 14.1% | 1.83% | 0.31% | 1.52% | 153.7 | 14.08% |
| Brass | 1 | 0.1% | 0.00% | 0.00% | 0.00% | 1.0 | 0.09% |
| Plastic | 166 | 15.2% | 0.00% | 0.00% | 0.00% | 166.0 | 15.21% |
| Total | 1091.7 | 100.0% | 68.60% | 35.69% | 32.91% | 1091.7 | 100.00% |

PIR = Post Industrial Recycled

PCR = Post Consumer Recycled



CLEANING, STORAGE & MAINTENANCE

| | |
|-----------------------------------|---|
| Routine servicing | Periodic inspection |
| Service components | Available to order |
| Cleaning & Maintenance | Damp cloth, no abrasives, no solvents to be used on the cosmetic surfaces |
| Handling & Storage | Do not drop or expose to moisture |

While every effort is made to ensure the accuracy of our technical information, Colebrook Bosson Saunders (Products) Ltd accept no liability for the accuracy of the information contained in this document and reserve the right to modify the specifications or data contained herein without prior notification.