



TECHNICAL SPECIFICATION SHEET

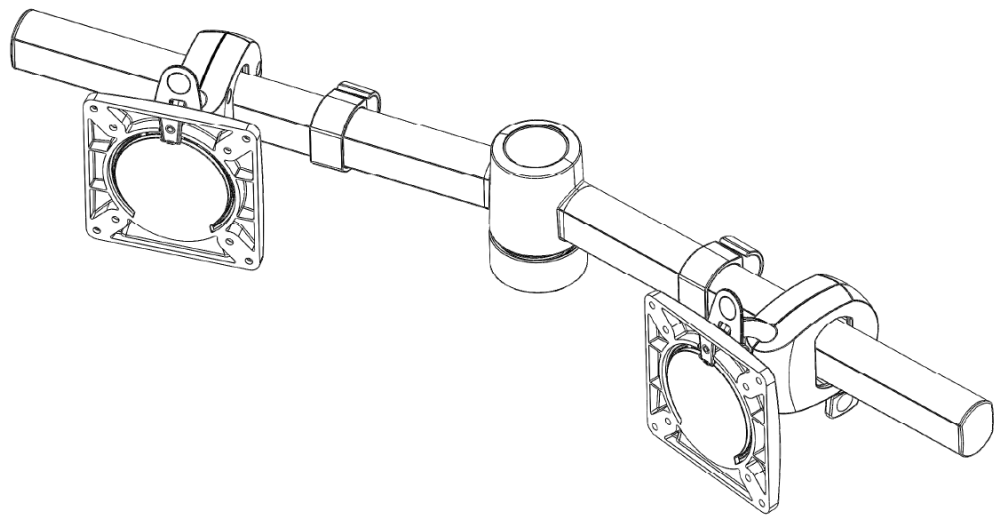
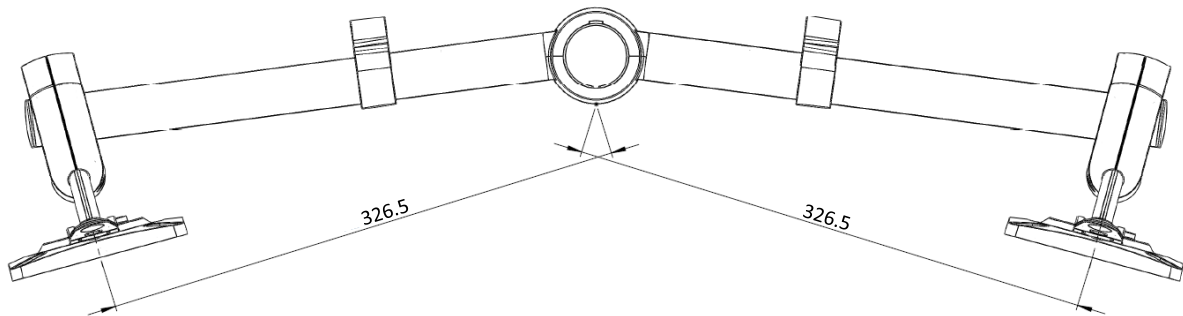
PRODUCT NAME: Wishbone Dual Bar

PRODUCT CODE: WSH/020/001

Doc Rev 3.

Product Rev #A

12.09.17 CF



*Note dimensions provided are measured in mm

KEY FEATURES

- Dual mounting solution for screens up to 12kg (24kg total mounted)
- Easy cockpit to flat screen changeover
- 12mm fine height adjustment thumb screw for perfect screen alignment
- Self-balancing heads
- Easy portrait / landscape screen mounting
- Quick release brackets now include security screw feature

Product Classification Monitor Arms

Max load 24kg (52.8lb)

Recycled content 62.8%

Total product recyclable 99.75%

LOGISTICAL

Box contains	Dual Bar, 2 x vesa head and screws
Product net weight:	1.7 kg
Box dims (HxWxD)	125 x 165 x 740 mm
Box gross weight	2.25 kg
Carton quantity	4
Master dims (HxWxD)	285 x 360 x 760 mm
Master weight	9.6 kg
Country of origin	China
Country of configuration	UK

ORDERING INFORMATION

<u>Product Description</u>	<u>Product code</u>	<u>Colour</u>
Wishbone Dual Bar	WSH/020/001	:/S Silver

WARRANTY

Warranty Term	Limited lifetime
----------------------	------------------

COMPLIANCE & SAFETY CERTIFICATION

Whilst no mandatory standards apply to the monitor arm product sector, all Colebrook Bosson Saunders monitor arms have been designed with appropriate articulation features, dimensional range and adjustability to conform to the requirements of BS EN ISO 9241:5 1999 Ergonomic requirements for office work with visual display terminals (VDTs).

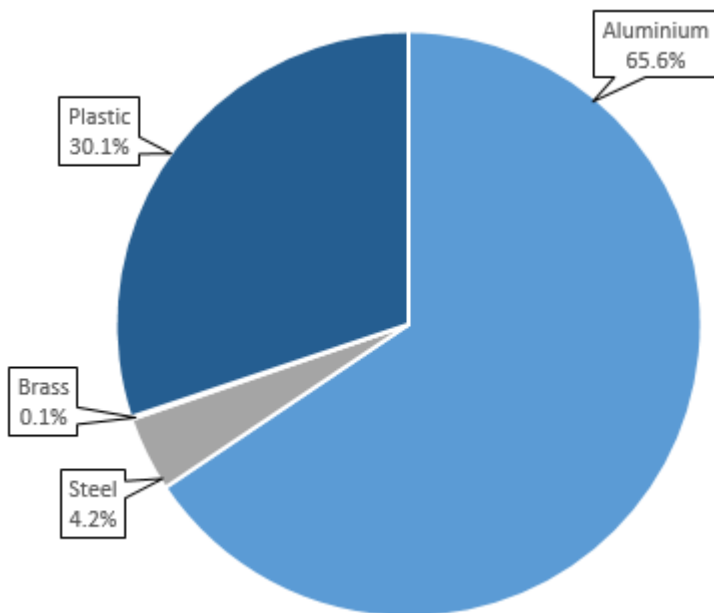
Conformance certification	N/A
Test authority	CBS
Safety certification	N/A

ENVIRONMENTAL

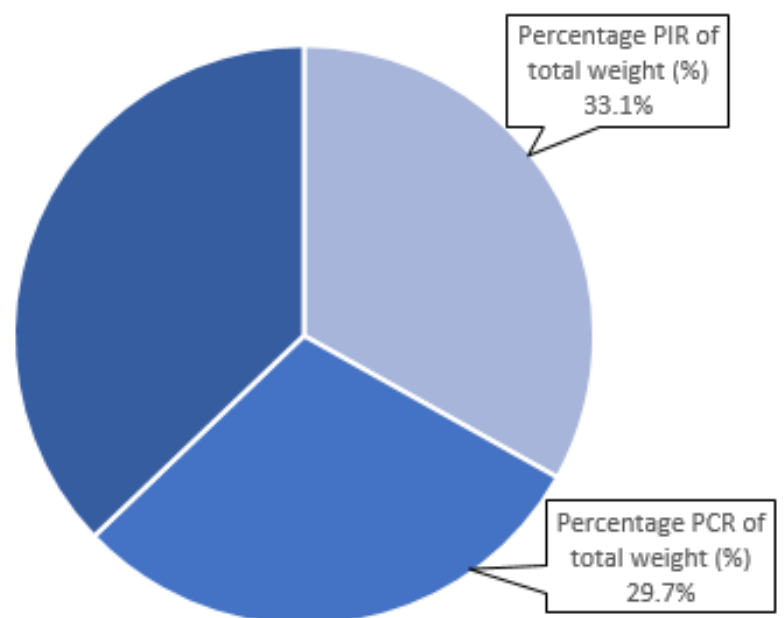
Material Make-up			Total Recycled Content	Breakdown of Recycled Content		Total Recyclable	
Overall Product			Overall Product			Overall Product	
Material type	Total Material type weight (g)	Percentage of Total Product Weight (%)	Material-Type Recycled Content (%)	Percentage PIR of total weight (%)	Percentage PCR of total weight (%)	Total Product Recyclable (g)	Total Product Recyclable (%)
Aluminium	1069	66%	62.3%	33.0%	29.3%	1069.0	66%
Steel	67.4	4%	0.5%	0.1%	0.4%	67.4	4%
Brass	2	0%	0.0%	0.0%	0.0%	2.0	0%
Plastic	491	30%	0.0%	0.0%	0.0%	491.0	30%
Total	1629.4	100%	62.8%	33.1%	29.7%	1629.4	100%

PIR = Post Industrial Recycled
PCR = Post Consumer Recycled

Total Product Weight (%)



Total Product Recycled Content (%)



CLEANING, STORAGE & MAINTENANCE

Routine servicing

Periodic inspection

Service components

Available to order

Cleaning & Maintenance

Damp cloth, no abrasives, no solvents to be used on the cosmetic surfaces

Handling & Storage

Do not drop or expose to moisture

While every effort is made to ensure the accuracy of our technical information, Colebrook Bosson Saunders (Products) Ltd accept no liability for the accuracy of the information contained in this document and reserve the right to modify the specifications or data contained herein without prior notification.